



### Order example

RHN — □

#### SWITCH TYPE

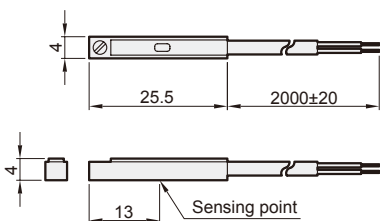
Blank: Reed Switch  
N: NPN  
P: PNP

#### WIRE LENGTH OF CABLE

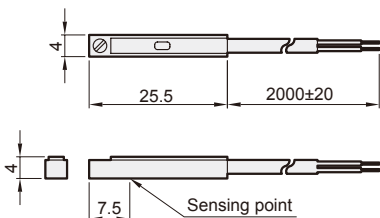
Blank: L=2000mm  
1M: L=1000mm  
QD: M8, 3 Pin connector  
EQD: M8, 3 Pin connector  
\* Special order is available.

### Dimension

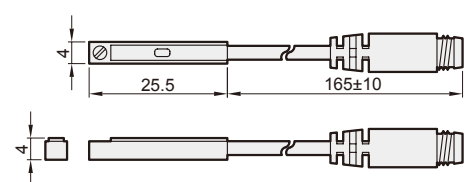
#### RH



#### RHN / RHP



#### RH-QD / RHN-QD / RHP-QD

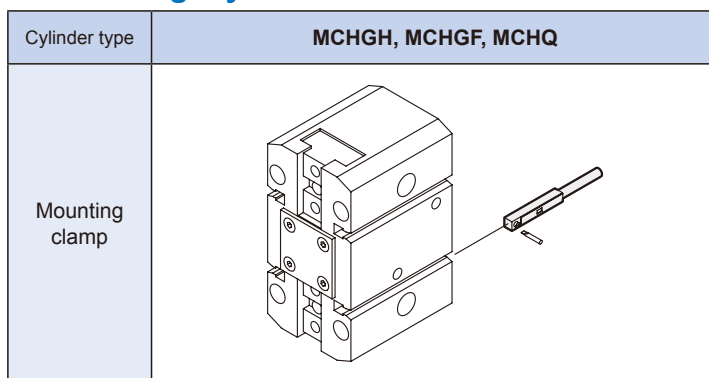


### Specification

Model	RH	RHN	RHP
Wiring method	2 wire	3 wire	
Switching logic	SPST normally open	Solid state output, normally open	
Switch type	Reed switch	NPN current sinking	PNP current sourcing
Operating voltage	5~120V DC/AC	5~30V DC	
Switching current	100mA max.	200mA max.	
Switching rating(*1)	10W max.	6W max.	
Current consumption	—	8 mA@24V max.	
Voltage drop	3.5V max.	1V@200 mA max.	
Leakage current	—	0.01mA max.	
Indicator	Red LED	Red LED	Green LED
Cable	ø2.8, 2C, PUR	ø2.8, 3C, PUR	
Temperature range	-10~+70°C (No freezing)		
Shock (*2)	30G	50G	
Vibration (*3)	9G		
Enclosure classification	IEC 60529 IP67		
Protection circuit (*4)	1	1, 3, 4	
Connect diagram			

- \*1. Warning: Never exceed rating (watt=voltage×amperage).
- \*2. Sin wave / X.Y.Z. 3 directions / 3 times each direction / 11ms each time.
- \*3. Double amplitude 1.5mm / 10Hz~55Hz~10Hz(Sweep 1min) / X.Y.Z. 3 directions / 1 hour each time.
- \*4. 1=None / 2=Short-circuit / 3=Power source reverse polarity / 4=Surge suppression
- \*5. Caution for safety please refer to the page 8-8~9.

### Assembling style



### Wiring of the QD

- 2 wire QD wiring
  - 2 wire EQD wiring
  - 3 wire QD wiring
-