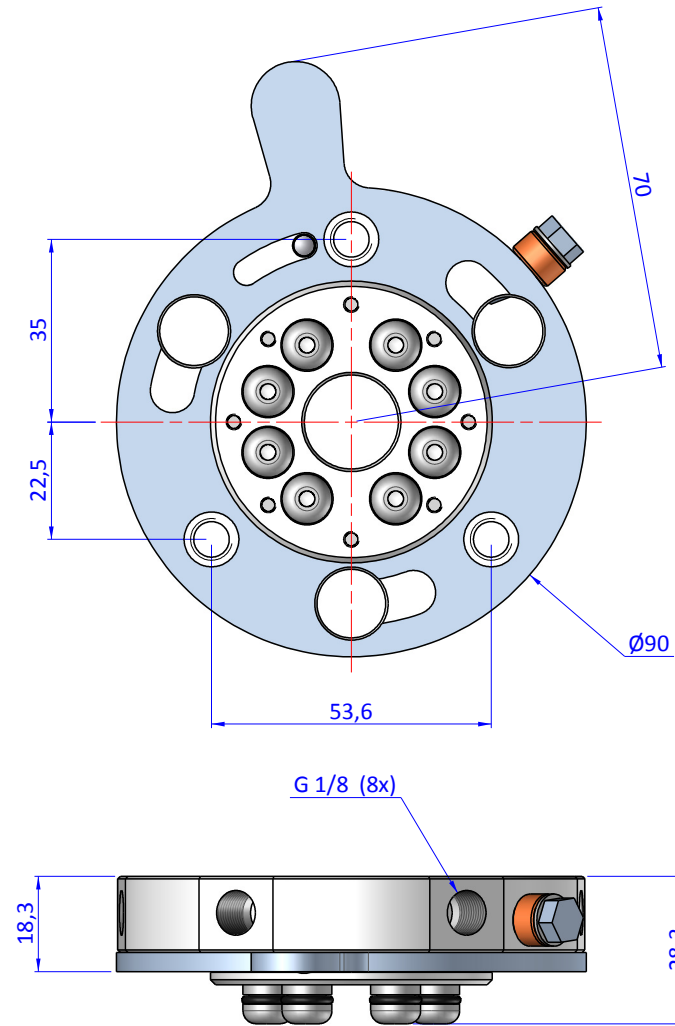
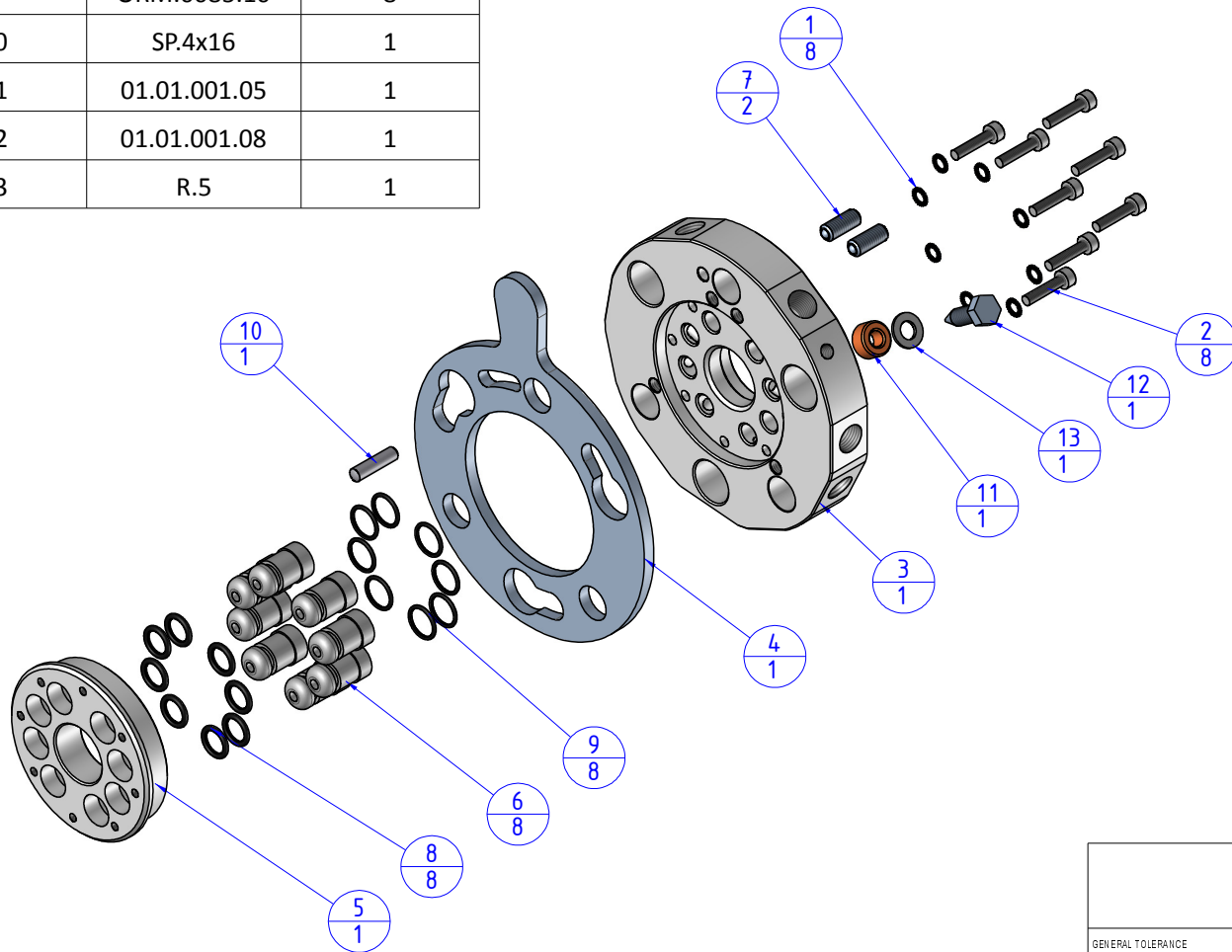



THE PROPERTY OF THE DRAWING IS ESTABLISHED BY LAW. IT IS FORBIDDEN TO PRODUCE OR SHOW IT TO THIRD PARTY, WITHOUT A WRITTEN AGREEMENT.

Item	Name	Q. ty
1	R.3.SCH	8
2	V.TCE3x14	8
3	01.01.001.01	1
4	01.01.001.02.L	1
5	01.01.001.03	1
6	01.01.001.04	8
7	EL.GN615M5K	2
8	ORM.0070.15	8
9	ORM.0085.10	8
10	SP.4x16	1
11	01.01.001.05	1
12	01.01.001.08	1
13	R.5	1



Format A3

UNI 936-76

 <b>FPS</b> FPSERVICES AUTOMATION		DESIGNED FROM		REVIEW
		FPS Automation		A
GENERAL TOLERANCE		DATE	WEIGHT	
UNI - ISO 2768		01/08/2019	0,318kg	
CLASSE F		CODE		
		CA.01.01.001		CA.01.01.001