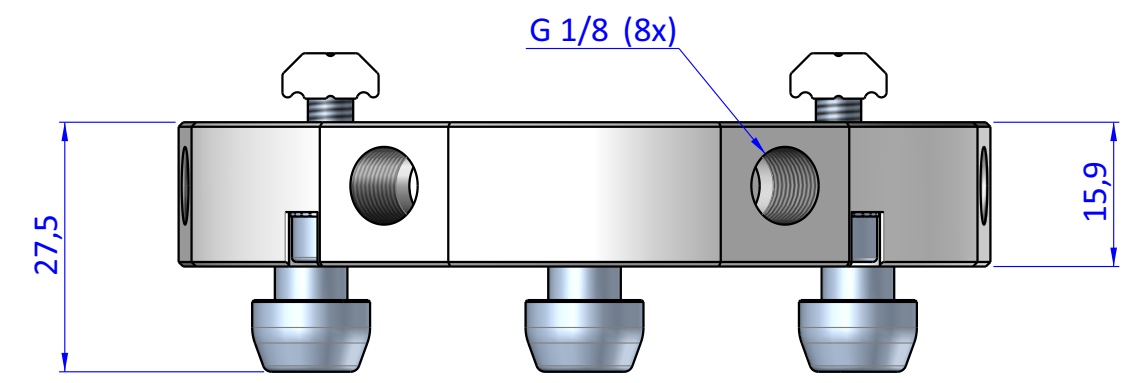
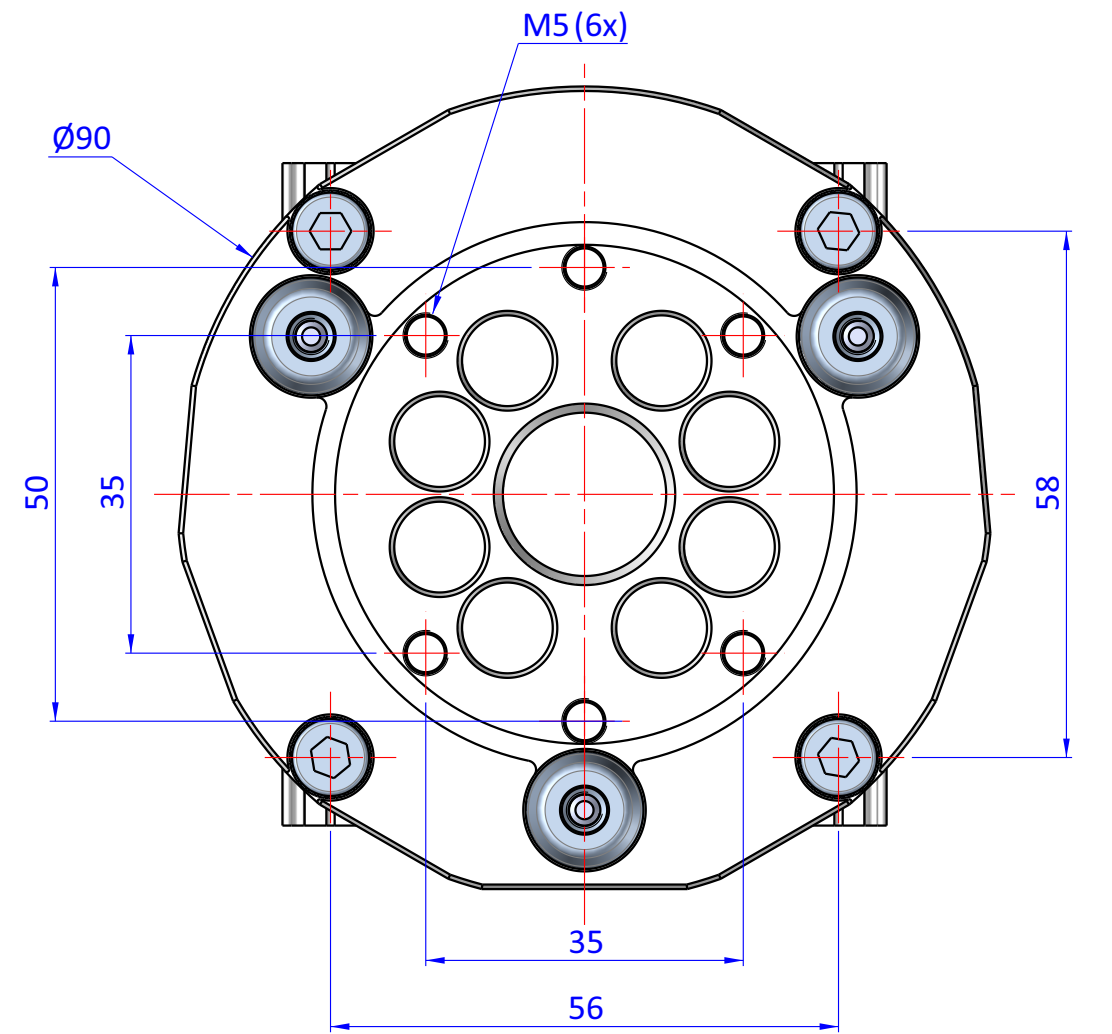
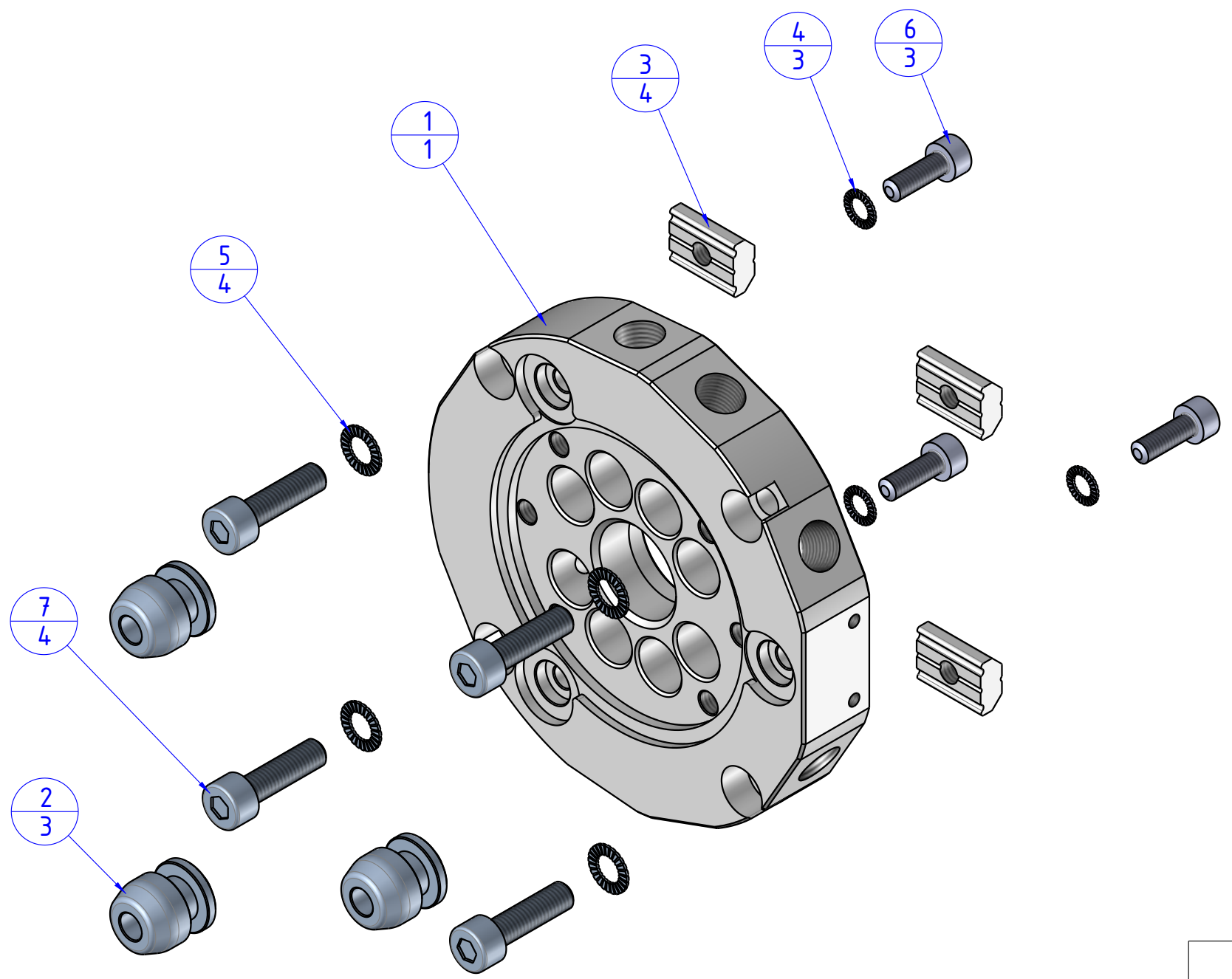



THE PROPERTY OF THE DRAWING IS ESTABLISHED BY LAW. IT IS FORBIDDEN TO PRODUCE OR SHOW IT TO THIRD PART - WITHOUT A WRITTEN AGREEMENT.

Item	Name	Q.ty
1	01.01.002.01	1
2	01.01.002.02	3
3	CA.GWP.5U	4
4	R.4.SCH	3
5	R.5.SCH	4
6	V.TCE4x12	3
7	V.TCE5x18	4



Format A3
UNI 936-76

 FPS FPSERVICES AUTOMATION		DESIGNED FROM FPS Automation		REVIEW A	
		DATE 30/08/2021	WEIGHT 0,257kg		
GENERAL TOLERANCE UNI - ISO 2768 CLASSE f	DESCRIPTION CA.01.01.002		CODE CA.01.01.002		