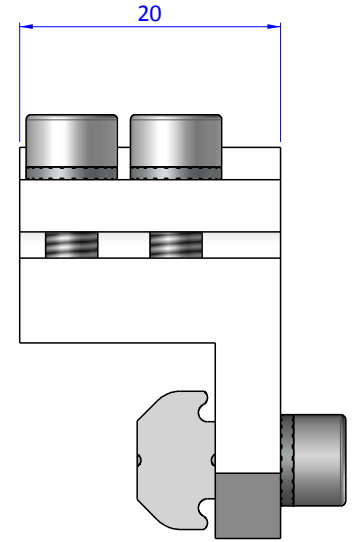
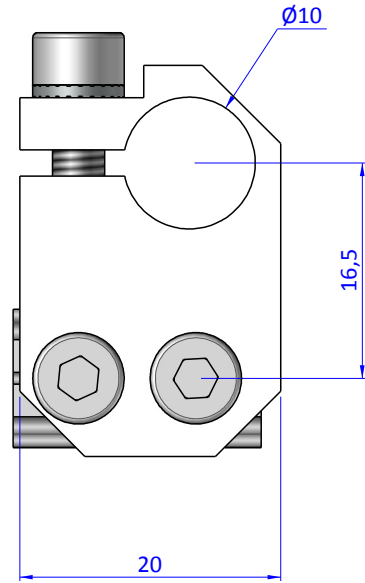
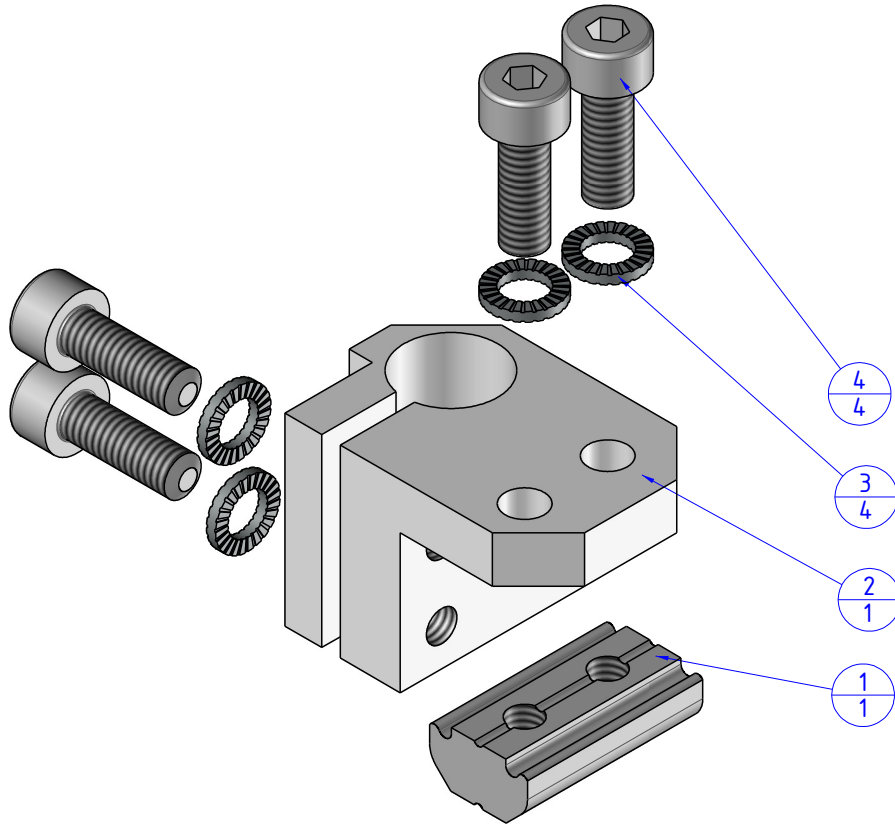


THE PROPERTY OF THE DRAWING IS ESTABLISHED BY LAW. IT IS FORBIDDEN TO PRODUCE OR SHOW IT TO THIRD PARTY, WITHOUT A WRITTEN AGREEMENT.

Item	Name	Q. ty
1	CA.GWP.4.9	1
2	KSW.10.L	1
3	R.4.SCH	4
4	V.TCE4x12	4



Format A3

UNI 936-76

FP SERVICES AUTOMATION		DESIGNED FROM		REVIEW
		FPSERVICES		A
GENERAL TOLERANCE		DATE	WEIGHT	
UNI - ISO 2768		30/04/2016	0,027kg	
CLASSE f		CODE		
		CA.KSW.10.L		CA.KSW.10.L