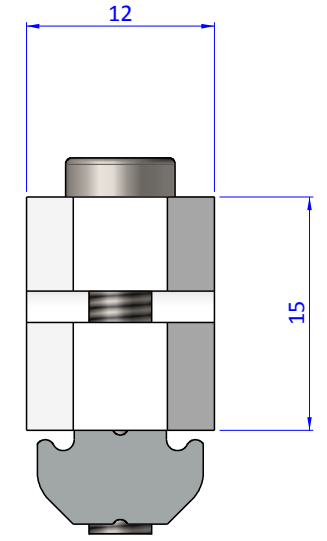
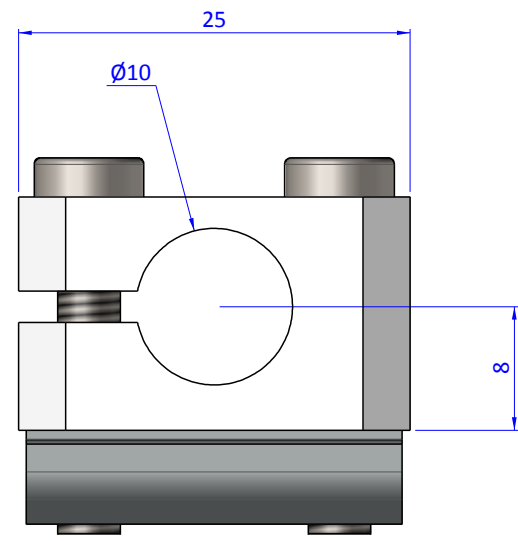
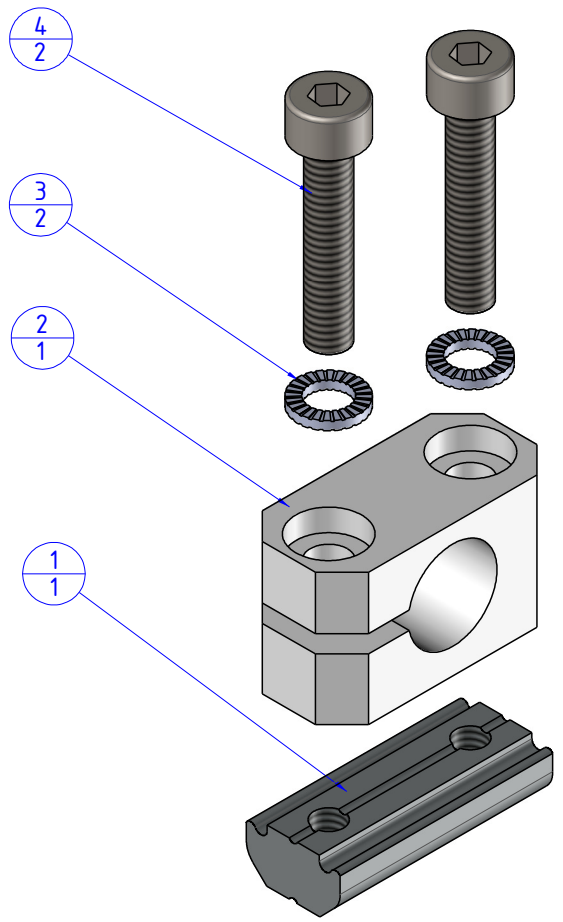



Item	Name	Q.ty
1	CA.GWP.4.16	1
2	KVB.L10	1
3	R.4.SCH	2
4	V.TCE4X20	2



THE PROPERTY OF THE DRAWING IS ESTABLISHED BY LAW. IT IS FORBIDDEN TO PRODUCE OR SHOW IT TO THIRD PARTY, WITHOUT A WRITTEN AGREEMENT.

Format A3
UNI 936-76

 FPS FPSERVICES AUTOMATION		DESIGNED FROM		REVIEW
		FPS Automation		A
GENERAL TOLERANCE		DATE	WEIGHT	
UNI - ISO 2768		29/05/2019	0,017kg	
CLASSE f		CODE		
		CA.KVB.L10		CA.KVB.L10