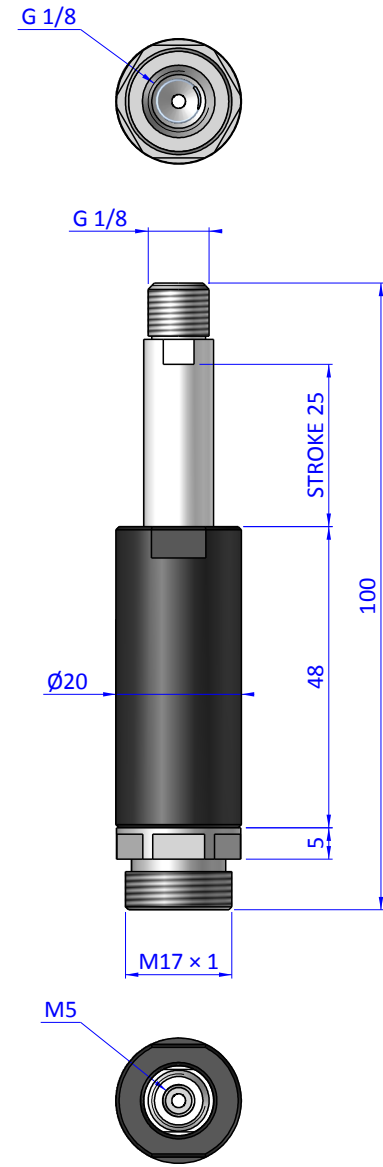
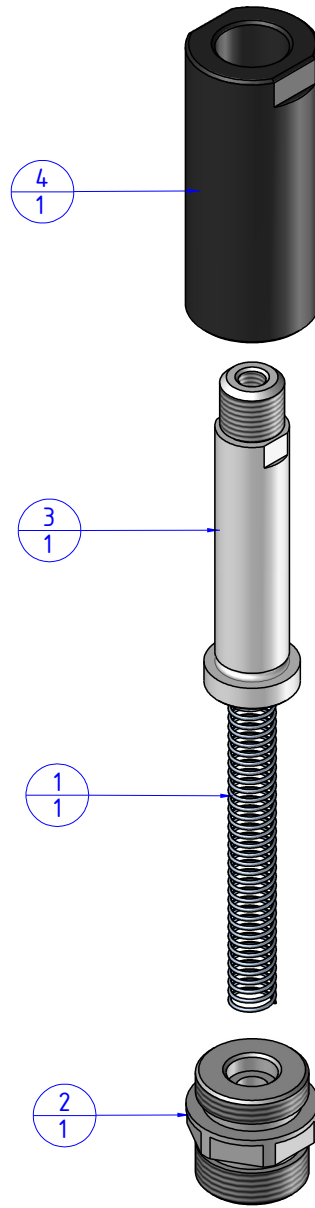


THE PROPERTY OF THE DRAWING IS ESTABLISHED BY LAW. IT IS FORBIDDEN TO PRODUCE OR SHOW IT TO THIRD PARTY, WITHOUT A WRITTEN AGREEMENT.

Item	Name	Q.ty
1	M.8X75	1
2	VSS.20.3	1
3	VSS.2025.1	1
4	VSS.2025.2	1



Format A3  
UNI 936-76

<b>FP SERVICES</b> AUTOMATION			DESIGNED FROM FPSERVICES	REVIEW A
GENERAL TOLERANCE UNI - ISO 2768 CLASSE f	DESCRIPTION CA.SAR.2025		DATE 08/05/2019	WEIGHT 0,041kg
			CODE CA.SAR.2025	