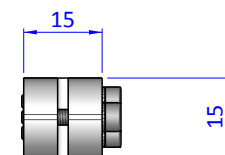
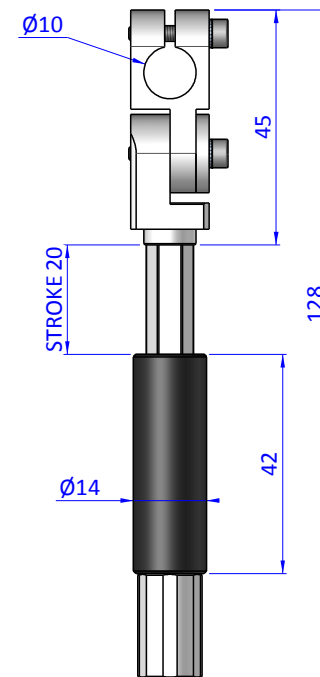
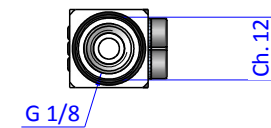
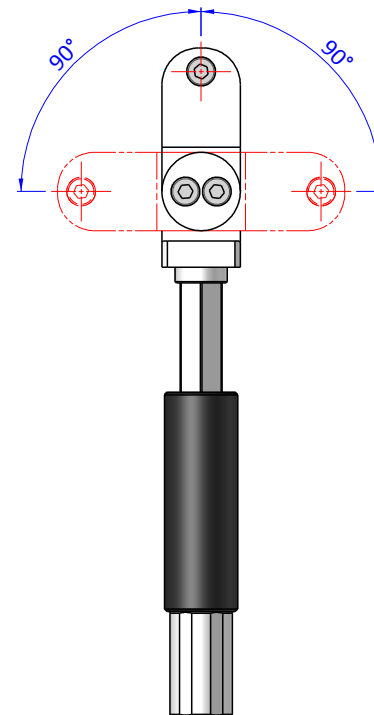
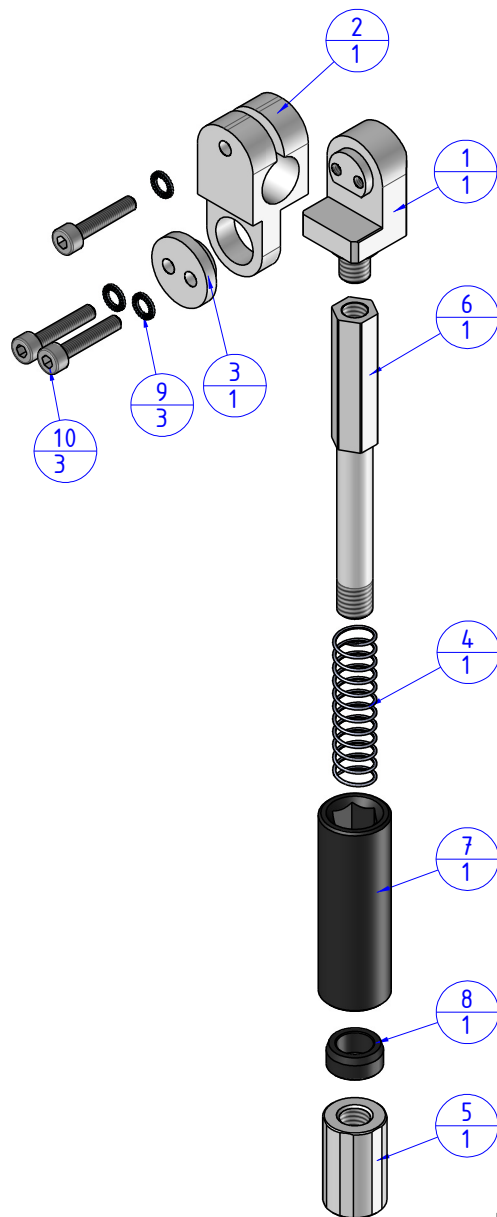


THE PROPERTY OF THE DRAWING IS ESTABLISHED BY LAW. IT IS FORBIDDEN TO PRODUCE OR SHOW IT TO THIRD PARTY, WITHOUT A WRITTEN AGREEMENT.

Object Number	Name	QTY
1	GRZ.142010.1	1
2	GVR.10.2	1
3	GVR.10.3	1
4	M.8.45X34	1
5	VSN.14.1	1
6	VSN.1420.4	1
7	VSN.1420.2.1	1
8	VSN.1420.3	1
9	R.3.SCH	3
10	V.TCE3x16	3



Format A3

UNI 936-76

		DESIGNED FROM	REVIEW
		FP SERVICES	A
GENERAL TOLERANCE	DESCRIPTION	DATE	WEIGHT
UNI - ISO 2768	CA.SMN.142010	02/05/2019	0,043kg
CLASSE f		CODE	CA.SMN.142010