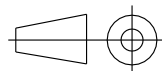
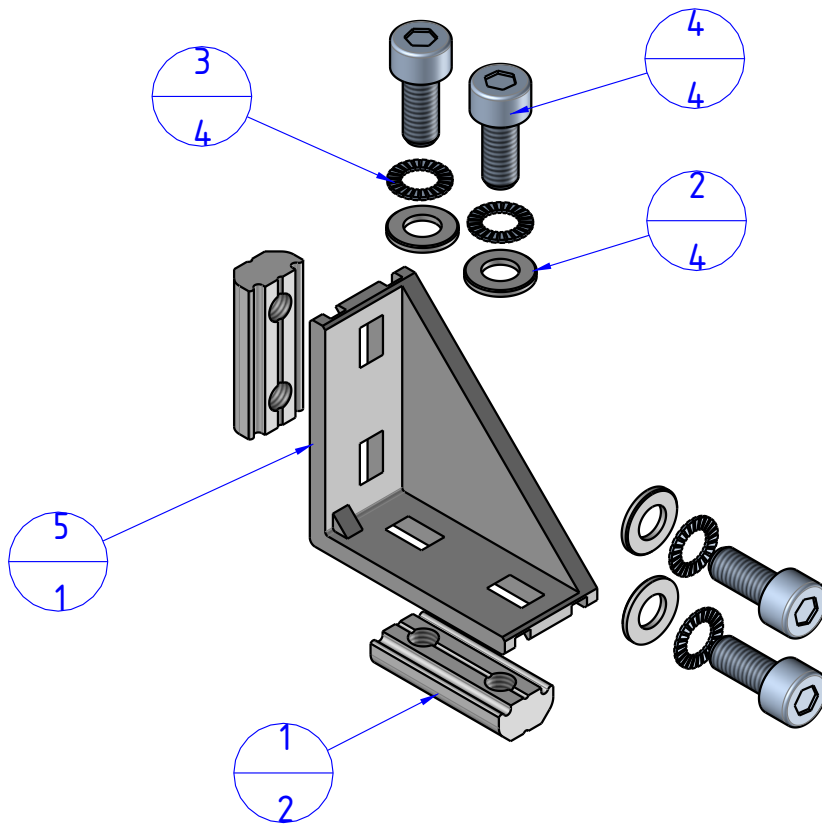
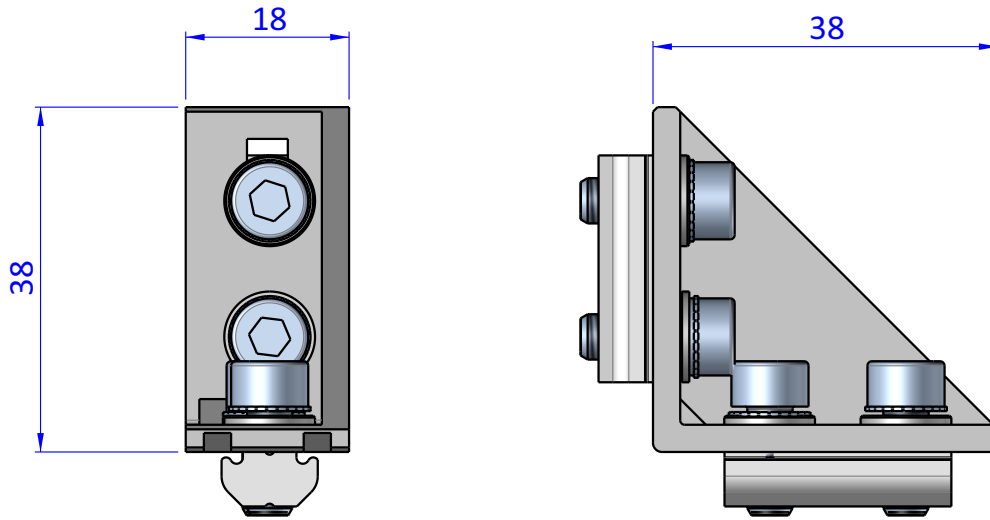


THE PROPERTY OF THE DRAWING IS ESTABLISHED BY LAW. IT IS FORBIDDEN TO PRODUCE OR SHOW IT TO THIRD PART. WITHOUT A WRITTEN AGREEMENT.

Item	Name	Q.ty
1	CA.GWP.5.15	2
2	R.5	4
3	R.5.SCH	4
4	V.TCE5x12	4
5	WIV.X.25.E	1



DESIGNED FROM FPS Automation		REVIEW A
DATE -	WEIGHT 0,037kg	
CODE CA.WIV.X.25.E		

Format A4	GENERAL TOLERANCE UNI - ISO 2768 CLASSE f	DESCRIPTION CA.WIV.X.25.E
------------------	--	-------------------------------------

UNI 936-76