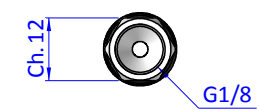
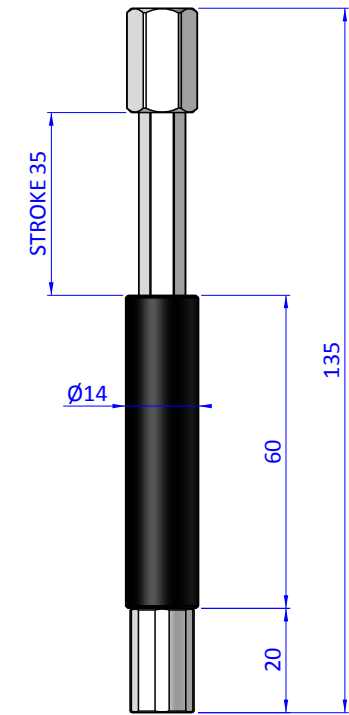
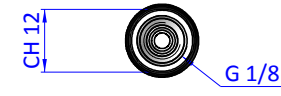
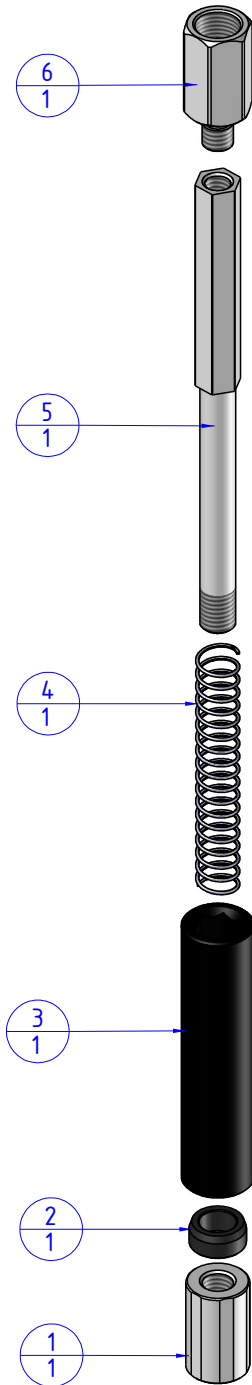


THE PROPERTY OF THE DRAWING IS ESTABLISHED BY LAW. IT IS FORBIDDEN TO PRODUCE OR SHOW IT TO THIRD PARTY, WITHOUT A WRITTEN AGREEMENT.

Item	Name	Q.ty
1	VSN.14.1	1
2	VSN.1420.3	1
3	VSN.1435.2.1	1
4	M.8.5X48.50.1	1
5	VSN.1435.4	1
6	VSN.14.2	1



Format A3
UNI 936-76

FP SERVICES AUTOMATION		DESIGNED FROM FPSERVICES		REVIEW A
GENERAL TOLERANCE UNI - ISO 2768 CLASSE f		DATE 11/02/2019	WEIGHT 0,032kg	
		CODE CA.SDN.1435		