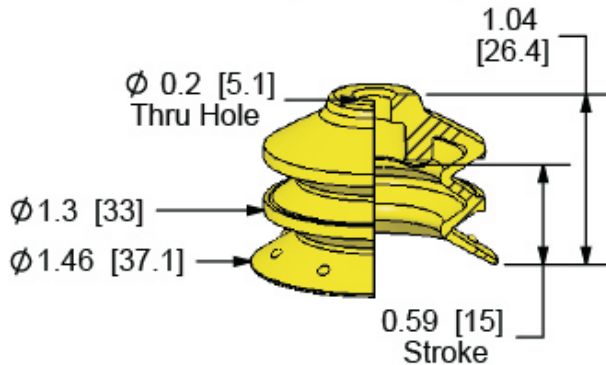


XP-2B35



CUP DIAMETER	35 mm
CUP WEIGHT: oz. (g)	0.28 (7.9)
INTERNAL VOLUME: cu. in. (cc)	0.61 (10)
FORCE @ 6" Hg: lb. (N)	3.37 (15)
FORCE @ 18" Hg: lb. (N)	5.62 (25)
MINIMUM RADIUS: in. (mm)	0.39 (9.9)

MATERIAL - NITRILE

 **Robo-Tool, Inc.**

PART NUMBER

XP-2B35N