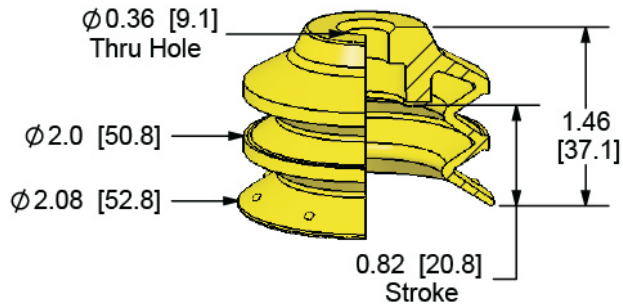


XP-2B50



CUP DIAMETER	50 mm
CUP WEIGHT: oz. (g)	0.85 (24.1)
INTERNAL VOLUME: cu. in. (cc)	1.83 (30)
FORCE @ 6" Hg: lb. (N)	8.32 (37)
FORCE @ 18" Hg: lb. (N)	13.3 (59.2)
MINIMUM RADIUS: in. (mm)	1.26 (32)

MATERIAL - NITRILE



PART NUMBER

XP-2B50N