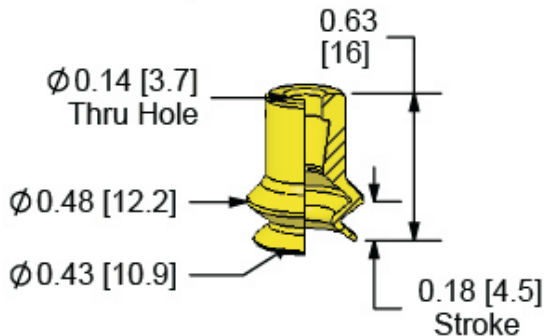


XP-B10



CUP DIAMETER	10 mm
CUP WEIGHT: oz. (g)	0.03 (0.85)
INTERNAL VOLUME: cu. in. (cc)	0.03 (0.49)
FORCE @ 6" Hg: lb. (N)	0.3 (1.3)
FORCE @ 18" Hg: lb. (N)	0.8 (3.6)
MINIMUM RADIUS: in. (mm)	0.16 (4.1)
SHEAR LOAD²: lb. (N)	0.4 (1.7)

MATERIAL - VITON



PART NUMBER

XP-B10V