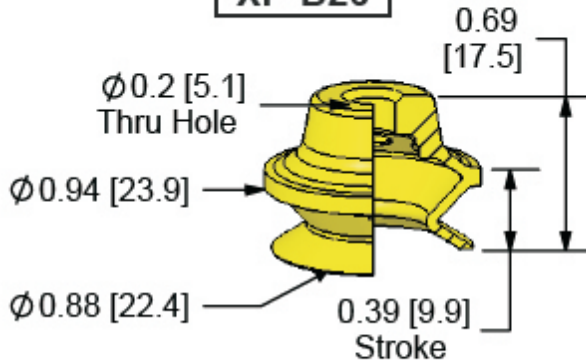


## XP-B20



<b>CUP DIAMETER</b>	20 mm
<b>CUP WEIGHT: oz. (g)</b>	0.08 (2.3)
<b>INTERNAL VOLUME: cu. in. (cc)</b>	0.16 (2.6)
<b>FORCE @ 6" Hg: lb. (N)</b>	1.3 (5.8)
<b>FORCE @ 18" Hg: lb. (N)</b>	2.2 (9.8)
<b>MINIMUM RADIUS: in. (mm)</b>	0.39 (9.9)
<b>SHEAR LOAD<sup>2</sup>: lb. (N)</b>	1.1 (4.8)

**MATERIAL - NITRILE**

 **Robo-Tool, Inc.**

PART NUMBER

**XP-B20N**