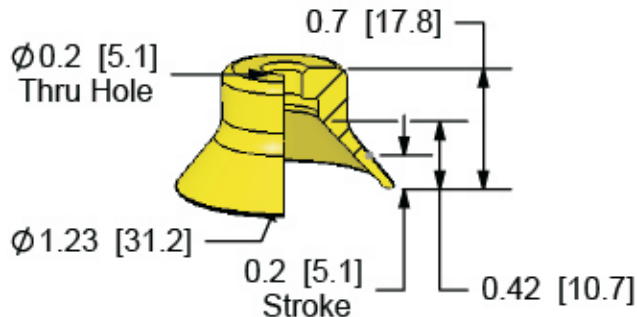


XP-D30



CUP DIAMETER	30 mm
CUP WEIGHT: oz. (g)	0.11 (3.1)
INTERNAL VOLUME: cu. In. (cc)	0.3 (5)
FORCE @ 6" Hg: lb. (N)	3.1 (13.8)
FORCE @ 18" Hg: lb. (N)	5.8 (25.8)
MINIMUM RADIUS: in. (mm)	0.51 (13)

MATERIAL - NITRILE



PART NUMBER

XP-D30N