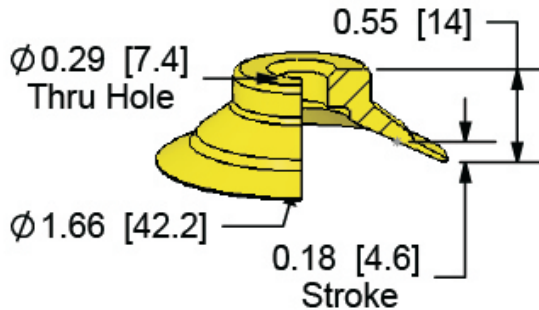


XP-U40



CUP DIAMETER	40 mm
CUP WEIGHT: oz. (g)	0.17 (4.8)
INTERNAL VOLUME: cu. in. (cc)	0.34 (5.6)
FORCE @ 6" Hg: lb. (N)	4.5 (20)
FORCE @ 18" Hg: lb. (N)	8.8 (39.1)
MINIMUM RADIUS: in. (mm)	1.18 (30)

MATERIAL - SILICONE



PART NUMBER

XP-U40S