

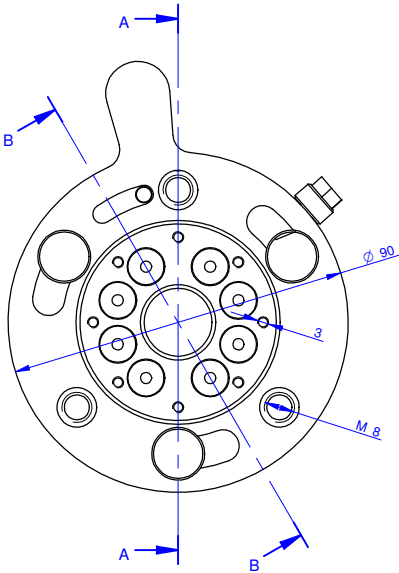
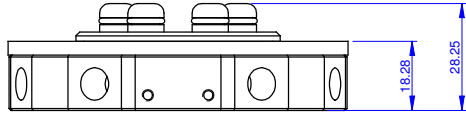
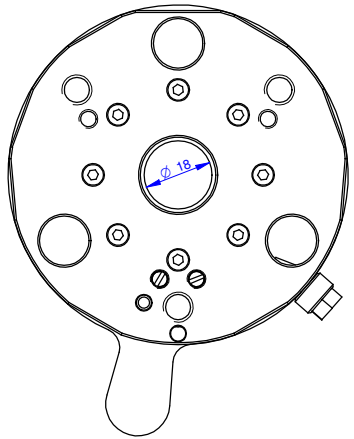
THE PROPERTY OF THIS DRAWING IS ESTABLISHED BY LAW
IT IS FORBIDDEN TO REPRODUCE IT OR SHOW IT TO THIRD PARTY
WITHOUT A WRITTEN AGREEMENT.

MODIFICATIONS	VARIED DIMENSIONS AS OF DATE
①	①
②	②
③	③

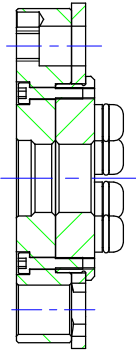
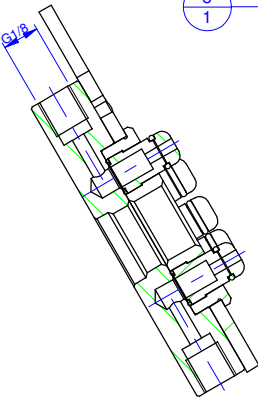
MODIFICATIONS	VARIED DIMENSIONS AS OF DATE
④	④
⑤	⑤
⑥	⑥

Format **A2**
UNI 936-76

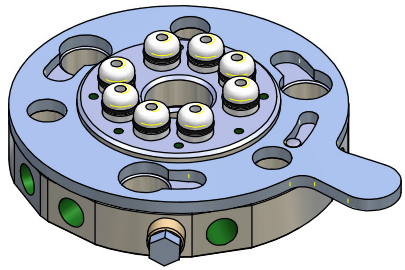
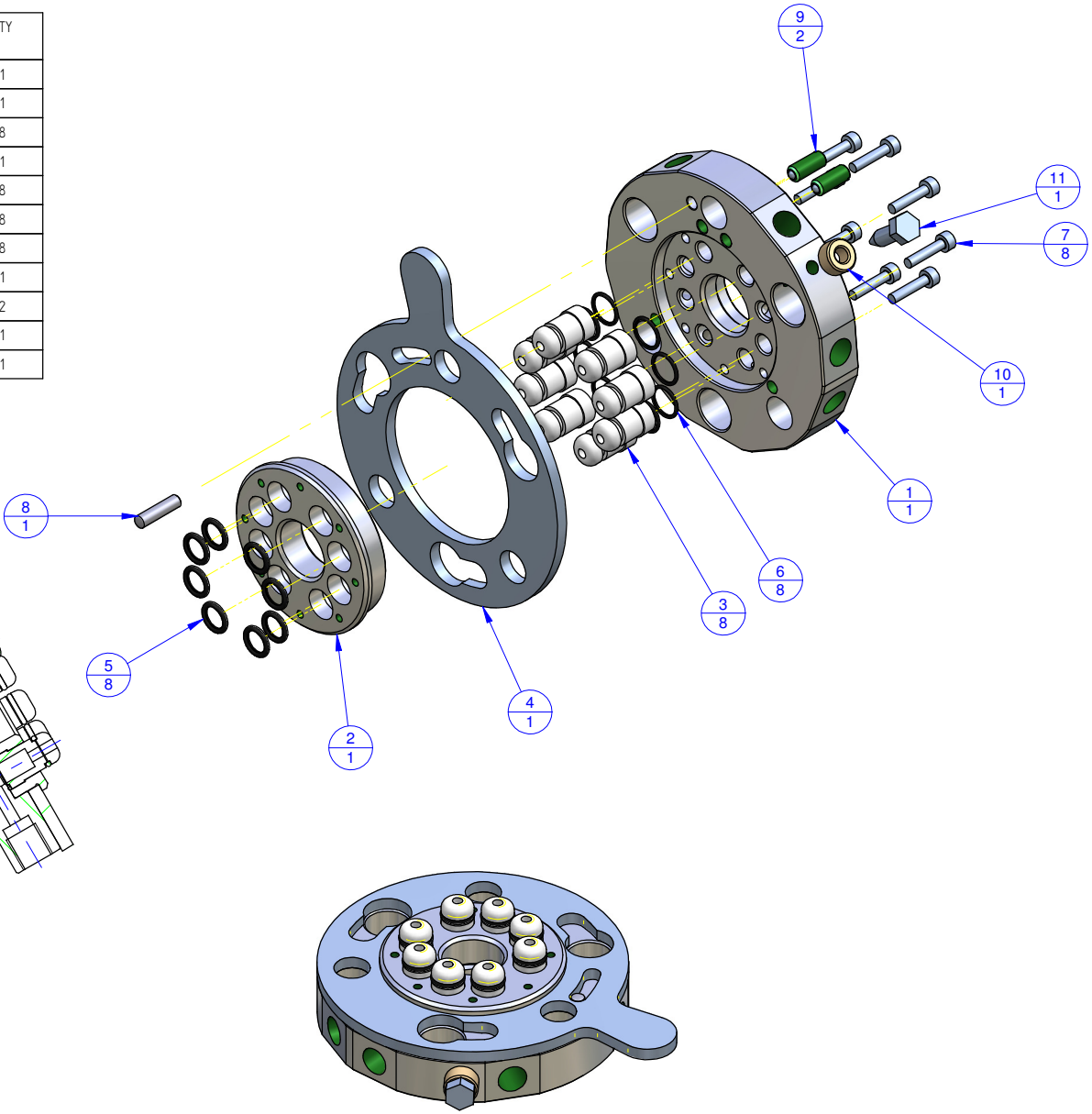
Object Number	Name	QTY
1	010100101	1
2	010100103	1
3	010100104	8
4	010100102L	1
5	ORM.0070.15	8
6	ORM.0085.10	8
7	V.TCE3X14	8
8	SP.4X16	1
9	ELGN615MSK	2
10	010100105	1
11	010100108	1



SEZIONE B-B



SEZIONE A-A



FP Services		DESIGNED FROM FPSERVICES	
GENERAL TOLERANCE: UNI - ISO 2768 CLASSE f	DESCRIPTION	DATE 03/2015	WEIGHT 0,343 kg
		CODE	CA.01.01.001