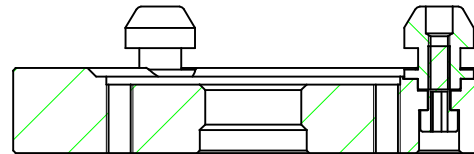
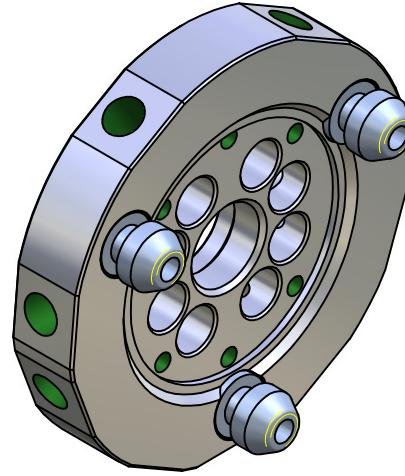
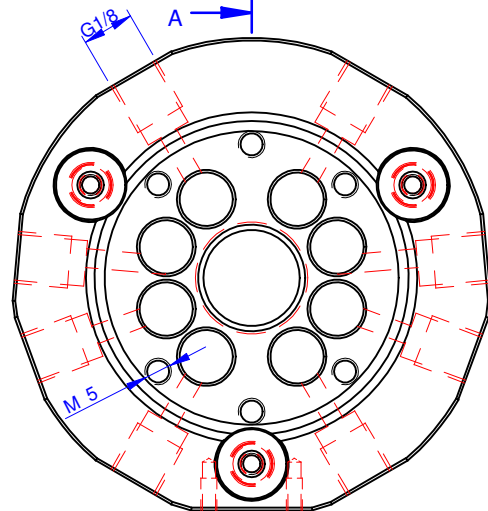
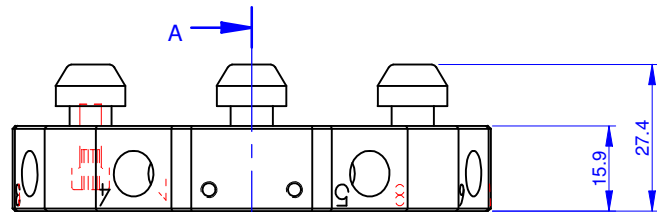
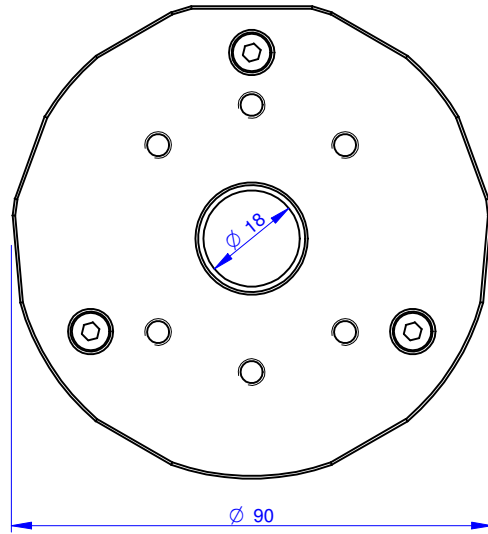
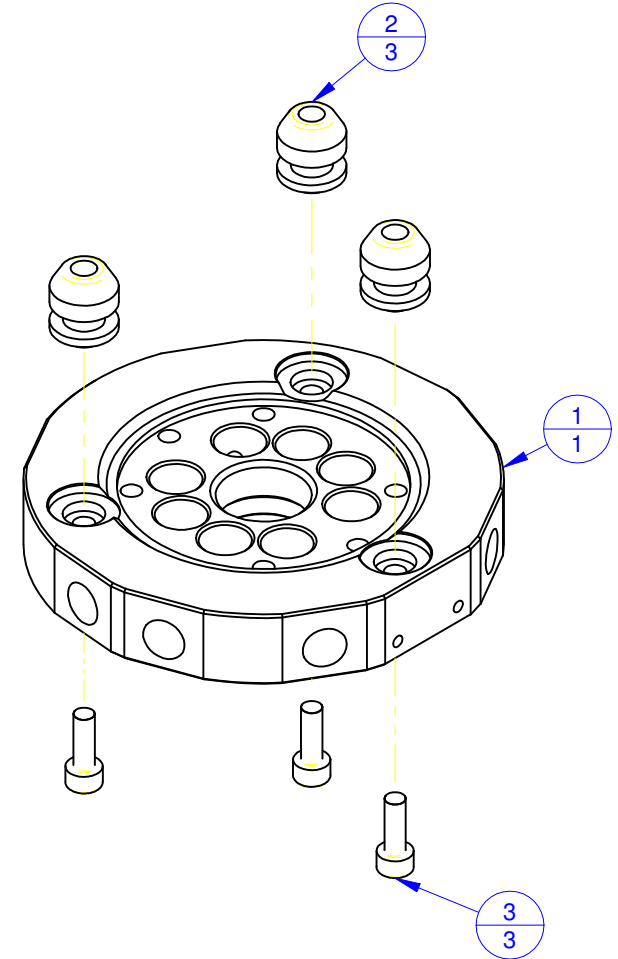


THE PROPERTY OF THIS DRAWING IS ESTABLISHED BY LAW
IT IS FORBIDDEN TO REPRODUCE IT OR SHOW IT TO THIRD PARTY
WITHOUT A WRITTEN AGREEMENT.



SEZIONE A-A



Object Number	Name	QTY
1	01.01.002.01	1
2	01.01.002.02	3
3	V.TCE4X12	3

MODIFICATIONS:

7	10
8	11
9	12

VARIED DIMENSIONS AS OF DATE:

MODIFICATIONS:

1	4
2	5
3	6

VARIED DIMENSIONS AS OF DATE:

Format **A3**
UNI 936-76

<p>FP Services</p> <p>GENERAL TOLERANCE: UNI - ISO 2768 CLASSE f</p>			DESIGNED FROM	FP SERVICES
			DATE	11/2013
DESCRIPTION			CODE	CA.01.01.002

