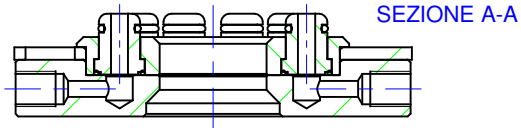
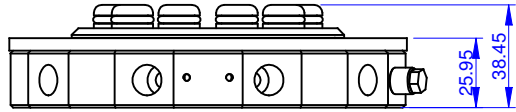
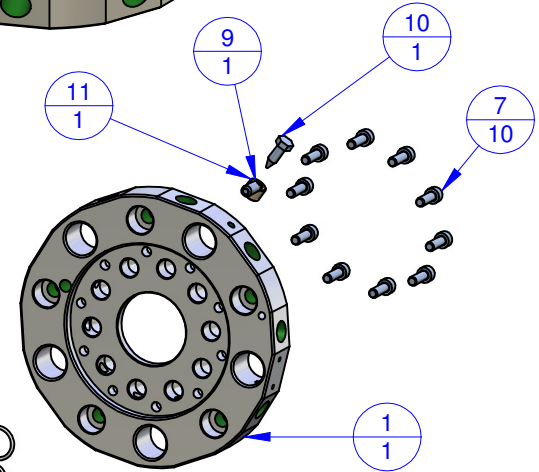
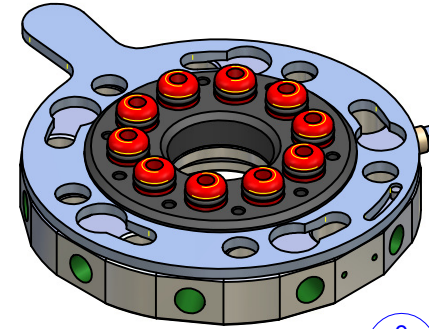


THE PROPERTY OF THIS DRAWING IS ESTABLISHED BY LAW
IT IS FORBIDDEN TO REPRODUCE IT OR SHOW IT TO THIRD PARTY
WITHOUT A WRITTEN AGREEMENT.



Object Number	Name	QTY
1	01.01.003.01	1
2	01.01.003.03	1
3	01.01.003.04	10
4	OR.3043	10
5	OR.2062	10
6	01.01.003.02	1
7	V.TCE5X16	10
8	SP.4X20	1
9	EL.GN.33131	1
10	01.01.001.08	1
11	01.01.003.05	1
12*	R.5.SCH	10



MODIFICATIONS:

VARIED DIMENSIONS AS OF DATE:

7 8 9 10 11 12

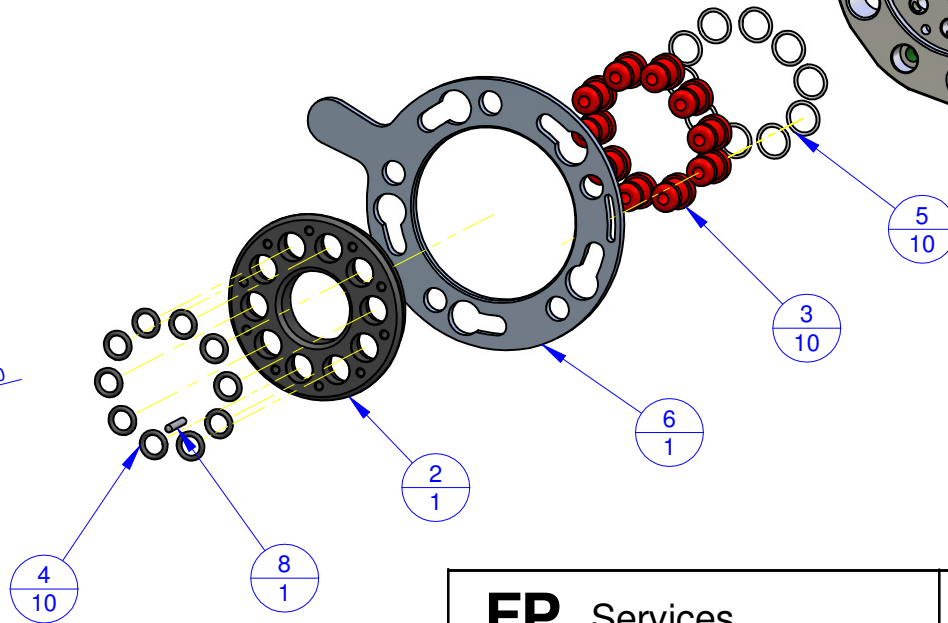
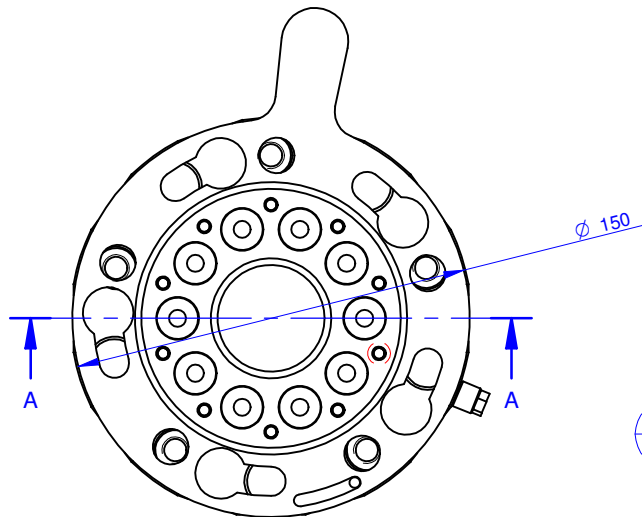
MODIFICATIONS:

VARIED DIMENSIONS AS OF DATE:

1 2 3 4 5 6

Format A3

UNI 936-76



FP Services		DESIGNED FROM FPSERVICES	
GENERAL TOLERANCE: UNI - ISO 2768 CLASSE f		DATE 01/2015	WEIGHT 1,154 kg
DESCRIPTION		CODE CA.01.01.003	

