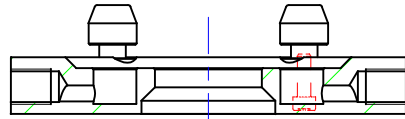
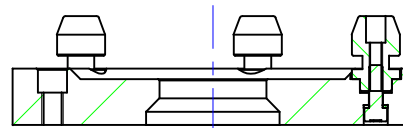
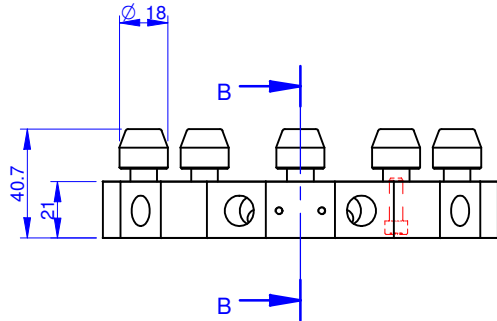


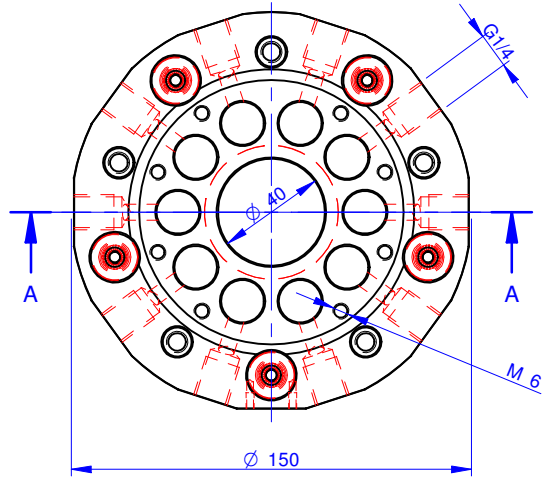
THE PROPERTY OF THIS DRAWING IS ESTABLISHED BY LAW
IT IS FORBIDDEN TO REPRODUCE IT OR SHOW IT TO THIRD PARTY
WITHOUT A WRITTEN AGREEMENT.



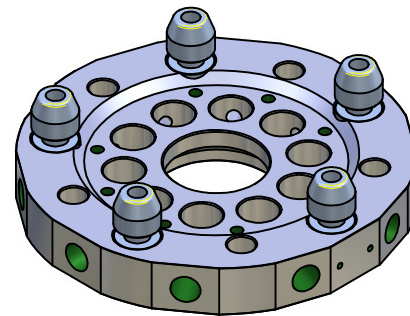
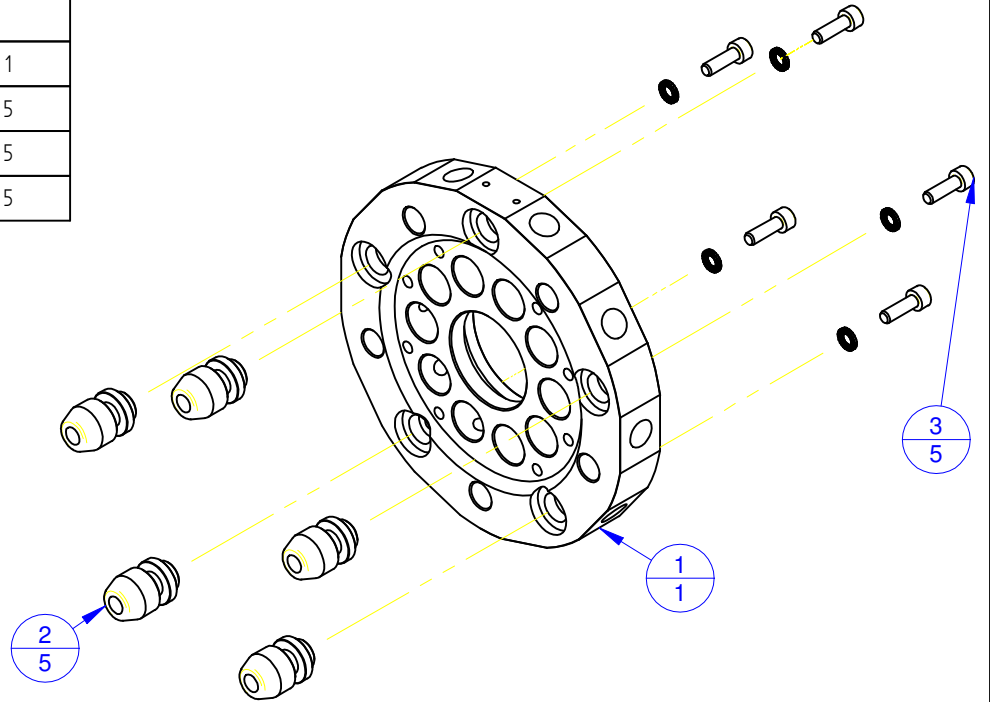
SEZIONE A-A



SEZIONE B-B



Object Number	Name	QTY
1	01.01.004.01	1
2	01.01.004.02	5
3	V.TCEE5X16	5
4*	R.5.SCH	5



MODIFICATIONS:

7	8	9
10	11	12

VARIED DIMENSIONS AS OF DATE:

MODIFICATIONS:

1	2	3
4	5	6

VARIED DIMENSIONS AS OF DATE:

Format A3
UNI 936-76

FP Services		DESIGNED FROM FPSERVICES	
GENERAL TOLERANCE: UNI - ISO 2768 CLASSE f	DESCRIPTION	DATE 11/2013	WEIGHT 0,848 kg
		CODE CA.01.01.004	

