

THE PROPERTY OF THE DRAWING IS ESTABLISHED BY LAW
IT IS FORBIDDEN TO PRODUCE OR SHOW IT TO THIRD PART
WITHOUT A WRITTEN AGREEMENT.

MODIFICATIONS

7	10
8	11
9	12

VARIED DIMENSIONS AS OF DATE

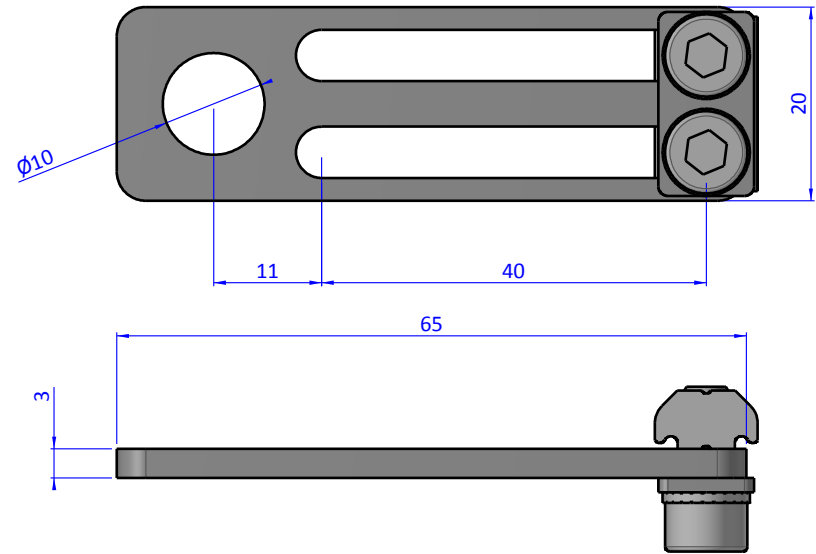
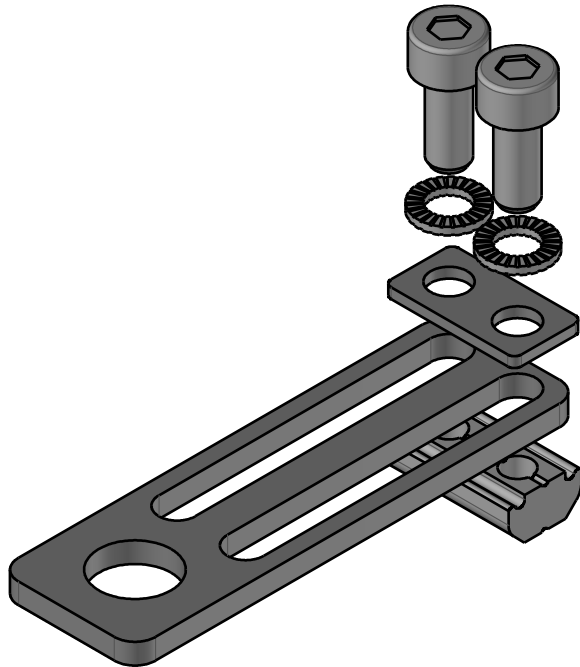
MODIFICATIONS

1	4
2	5
3	6

VARIED DIMENSIONS AS OF DATE

Format A3
UNI 936-76

Item	Name	Qty.
1	04.20.10	1
2	CA.GWP.5.10	1
3	R.05.10	1
4	R.5.SCH	2
5	V-tcei M 5 x 12	2



		DESIGNED FROM	
		FPSERVICES	
GENERAL TOLERANCE		DATE	WEIGHT
UNI - ISO 2768		06/06/2017	0,034kg
CLASSE f		CODE	
CA.04.20.10.X		CA.04.20.10.X	