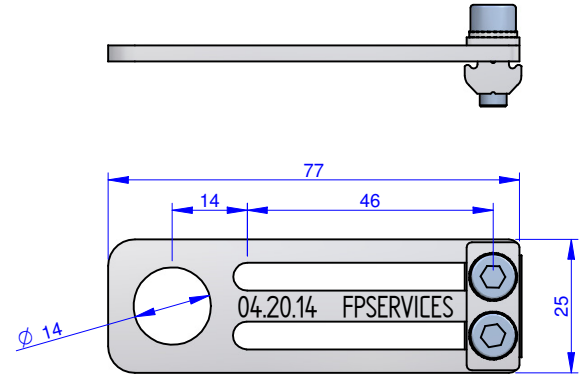
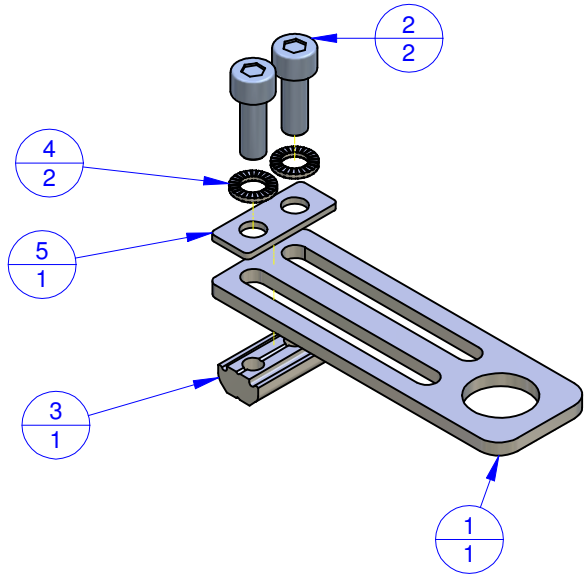


THE PROPERTY OF THIS DRAWING IS ESTABLISHED BY LAW  
IT IS FORBIDDEN TO REPRODUCE IT OR SHOW IT TO THIRD PARTY  
WITHOUT A WRITTEN AGREEMENT.



Object Number	Name	QTY
1	CA.04.20.14	1
2	V.TCEI M5X14	2
3	C.A.GWP.5,11	1
4	R.5.SCH	2
5	R.05.11	1

MODIFICATIONS: VARIED DIMENSIONS AS OF DATE:

7	10
8	11
9	12

MODIFICATIONS: VARIED DIMENSIONS AS OF DATE:

1	4
2	5
3	6

Format **A3**  
UNI 936-76

<b>FP Services</b>		DESIGNED FROM FPSERVICES	
		DATE 08/2013	WEIGHT 0,045 kg
GENERAL TOLERANCE: UNI - ISO 2768 CLASSE f		DESCRIPTION   CODE <b>CA.04.20.14.X</b>	

