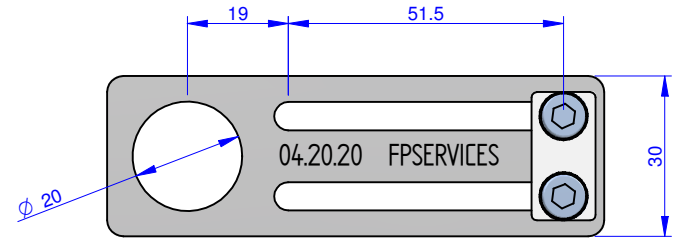
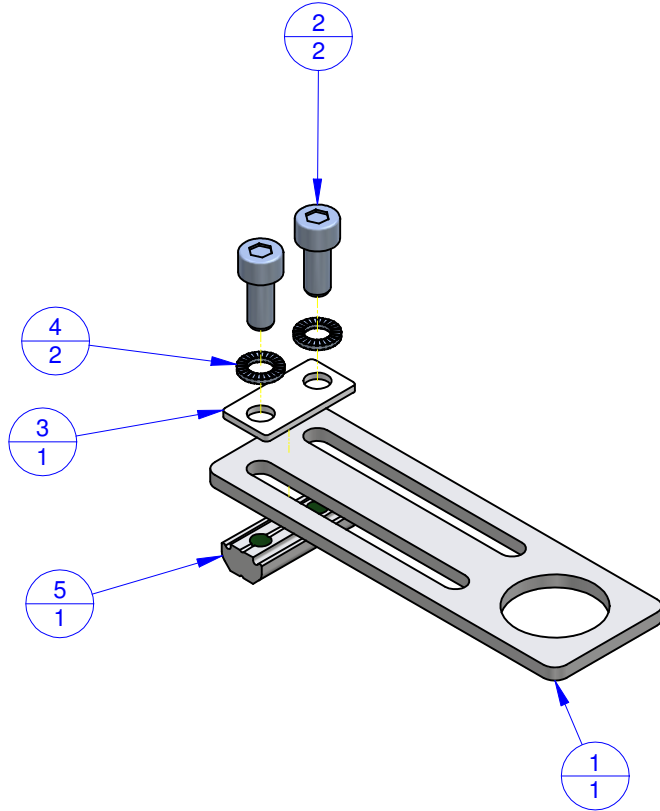


THE PROPERTY OF THIS DRAWING IS ESTABLISHED BY LAW  
IT IS FORBIDDEN TO REPRODUCE IT OR SHOW IT TO THIRD PARTY  
WITHOUT A WRITTEN AGREEMENT.



MODIFICATIONS:

7	10
8	11
9	12

VARIED DIMENSIONS AS OF DATE:

MODIFICATIONS:

1	4
2	5
3	6

VARIED DIMENSIONS AS OF DATE:

Format **A3**  
UNI 936-76

Object Number	Name	QTY
1	CA.04.20.20	1
2	V.TCE M5X12	2
3	R.05.15	1
4	R.5.SCH	2
5	CA.GWP.5.15	1

<b>FP Services</b>		DESIGNED FROM FPSERVICES	
GENERAL TOLERANCE: UNI - ISO 2768 CLASSE f		DATE 07/2015	WEIGHT 0,065 kg
DESCRIPTION		CODE <b>CA.04.20.20.X</b>	