

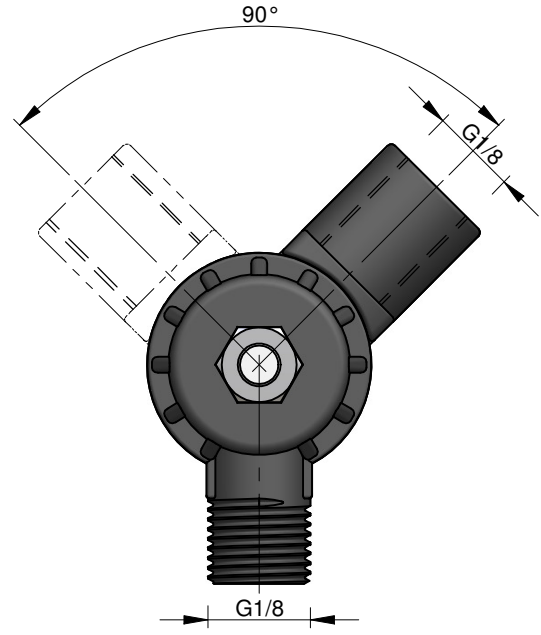
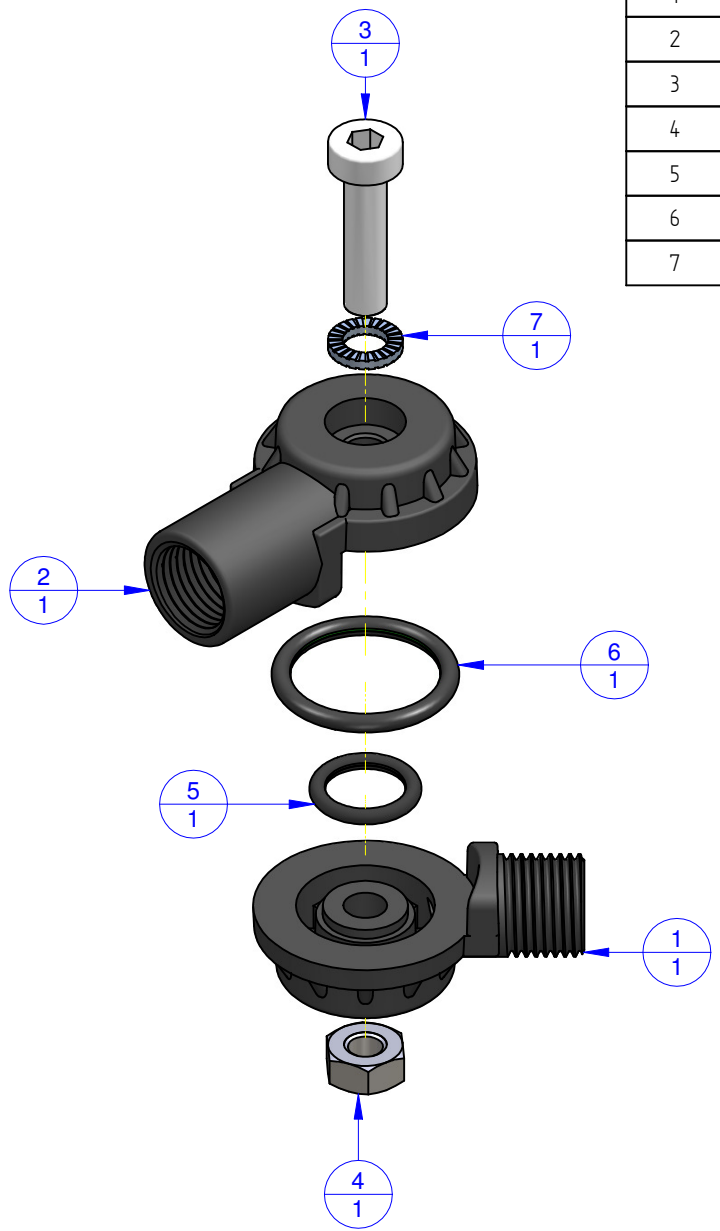
THE PROPERTY OF THIS DRAWING IS ESTABLISHED BY LAW
IT IS FORBIDDEN TO REPRODUCE IT OR SHOW IT TO THIRD PARTY
WITHOUT A WRITTEN AGREEMENT.

MODIFICATIONS: _____
 (7) _____ (10) _____
 (8) _____ (11) _____
 (9) _____ (12) _____

MODIFICATIONS: _____
 (4) _____
 (5) _____
 (6) _____

Format **A3**
 UNI 936-76

Object Number	Name	QTY
1	07.01.001.1	1
2	07.01.001.2	1
3	V.TBCE4X16	1
4	D.4 AUT	1
5	OR2018	1
6	OR.2056	1
7	R.4-SCH	1



FP Services		DESIGNED FROM FPSERVICES	
GENERAL TOLERANCE: UNI - ISO 2768 CLASSE f		DATE 07/2014	WEIGHT 0,007 kg
DESCRIPTION		CODE CA.07.01.001	

