

THE PROPERTY OF THIS DRAWING IS ESTABLISHED BY LAW  
IT IS FORBIDDEN TO REPRODUCE IT OR SHOW IT TO THIRD PARTY  
WITHOUT A WRITTEN AGREEMENT.

MODIFICATIONS:

7	
8	
9	
10	
11	
12	

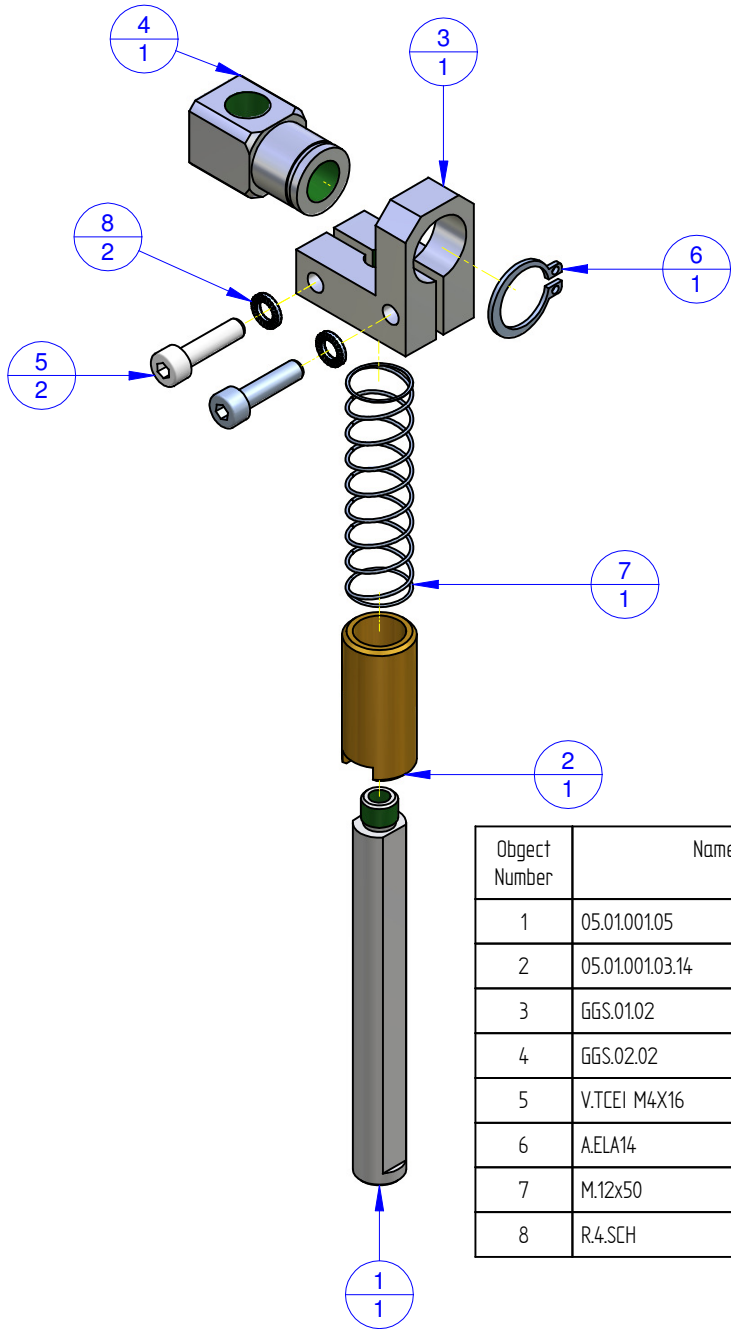
VARIED DIMENSIONS AS OF DATE:

MODIFICATIONS:

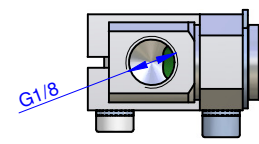
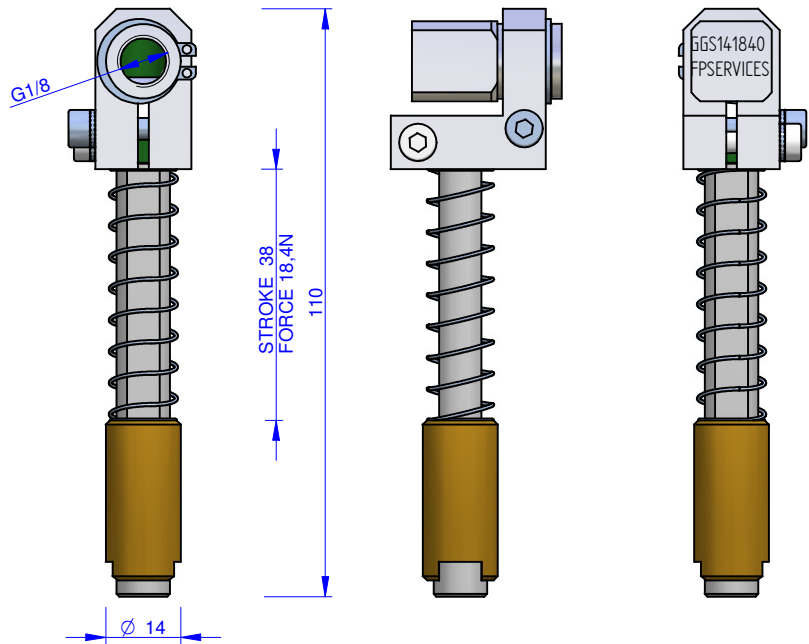
1	
2	
3	
4	
5	
6	

VARIED DIMENSIONS AS OF DATE:

Format **A3**  
UNI 936-76



Object Number	Name	QTY
1	05.01.001.05	1
2	05.01.001.03.14	1
3	GG.S.01.02	1
4	GG.S.02.02	1
5	V.TCEI M4X16	2
6	A.ELA14	1
7	M.12x50	1
8	R.4.SCH	2



<b>FP Services</b>		DESIGNED FROM FPSERVICES	
		DATE 08/2015	WEIGHT 0,089 kg
GENERAL TOLERANCE: UNI - ISO 2768 CLASSE f		CODE <b>CA.GGS141840</b>	