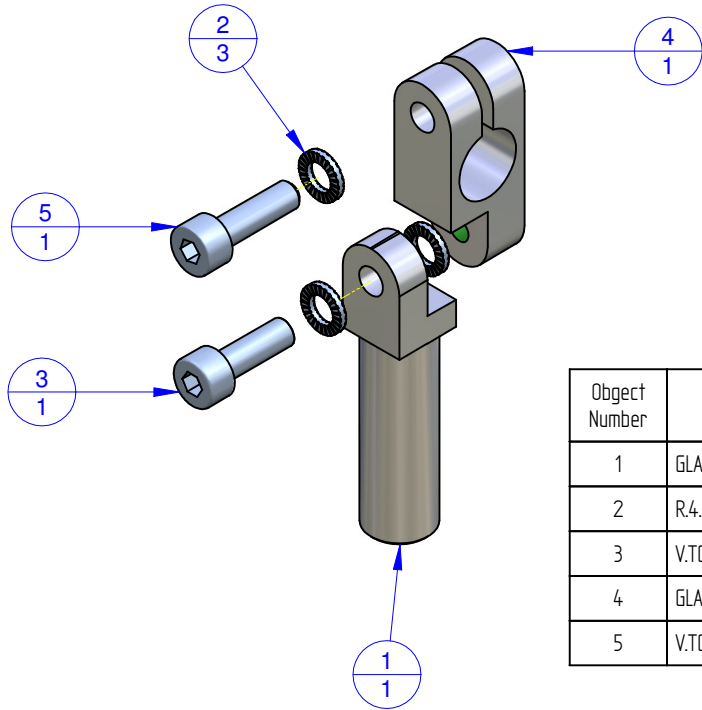
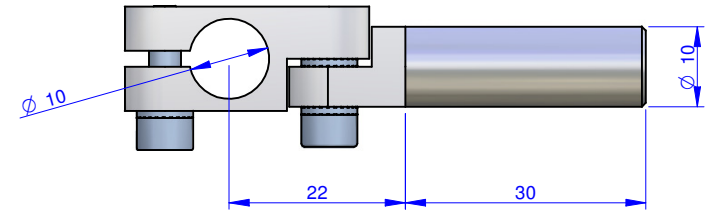


THE PROPERTY OF THIS DRAWING IS ESTABLISHED BY LAW
IT IS FORBIDDEN TO REPRODUCE IT OR SHOW IT TO THIRD PARTY
WITHOUT A WRITTEN AGREEMENT.



Object Number	Name	QTY
1	GLA.10.1.30	1
2	R.4.SCH	3
3	V.TCE4X12	1
4	GLA.10.2	1
5	V.TCE M4X14	1



MODIFICATIONS: _____

VARIED DIMENSIONS AS OF DATE: _____

(7) (8) (9) (10) (11) (12)

MODIFICATIONS: _____

VARIED DIMENSIONS AS OF DATE: _____

(1) (2) (3) (4) (5) (6)

Format **A3**

UNI 936-76

FP Services		DESIGNED FROM FPSERVICES	
GENERAL TOLERANCE: UNI - ISO 2768 CLASSE f		DATE 12/2014	WEIGHT 0,017 kg
DESCRIPTION		CODE CA.GLA.1010.30	

