

THE PROPERTY OF THIS DRAWING IS ESTABLISHED BY LAW
IT IS FORBIDDEN TO REPRODUCE IT OR SHOW IT TO THIRD PARTY
WITHOUT A WRITTEN AGREEMENT.

MODIFICATIONS:

7	
8	
9	
10	
11	
12	

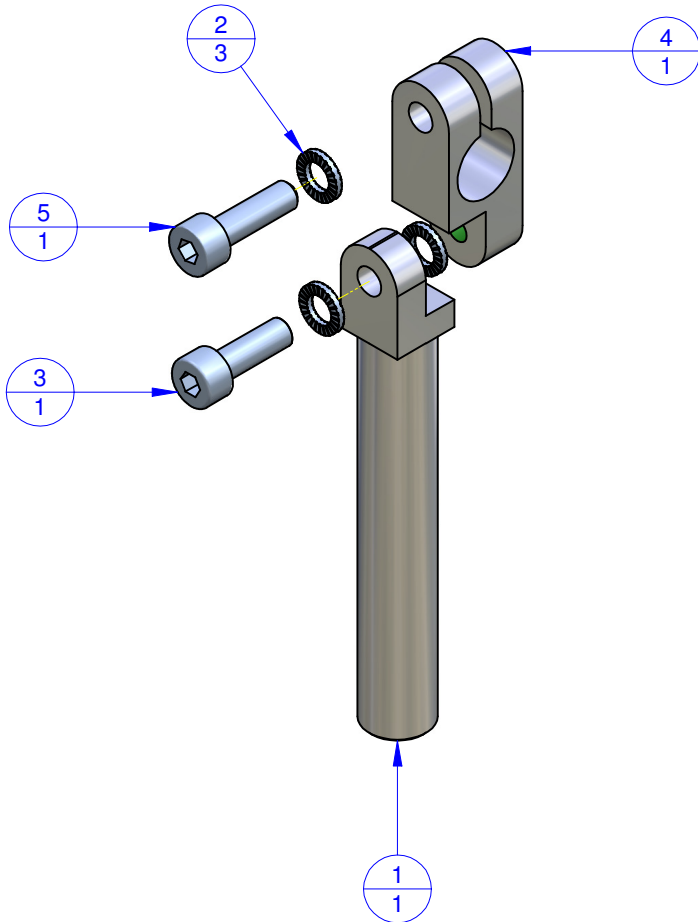
VARIED DIMENSIONS AS OF DATE:

MODIFICATIONS:

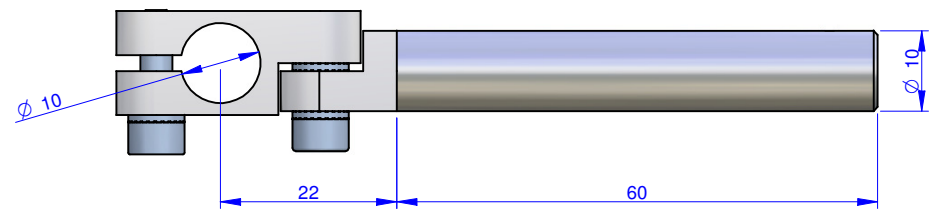
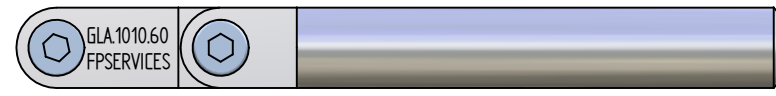
1	
2	
3	
4	
5	
6	

VARIED DIMENSIONS AS OF DATE:

Format **A3**
UNI 936-76



Object Number	Name	QTY
1	GLA.10.1	1
2	R.4.SCH	3
3	V.TCE4X12	1
4	GLA.10.2	1
5	V.TCE M4X14	1



FP Services <small>GENERAL TOLERANCE: UNI - ISO 2768 CLASSE f</small>	<small>DESCRIPTION</small>	<small>DESIGNED FROM</small> FPSERVICES
		<small>DATE</small> 12/2014
<small>CODE</small> CA.GLA.1010.60		

