

THE PROPERTY OF THE DRAWING IS ESTABLISHED BY LAW
IT IS FORBIDDEN TO PRODUCE OR SHOW IT TO THIRD PART
WITHOUT A WRITTEN AGREEMENT.

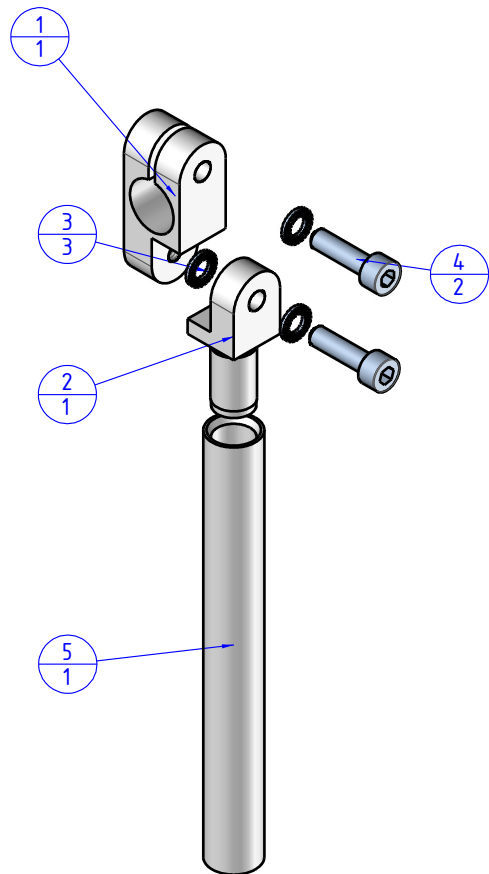
MODIFICAZIONI VARIED DIMENSIONI AS OF DATE

7	8	9
10	11	12

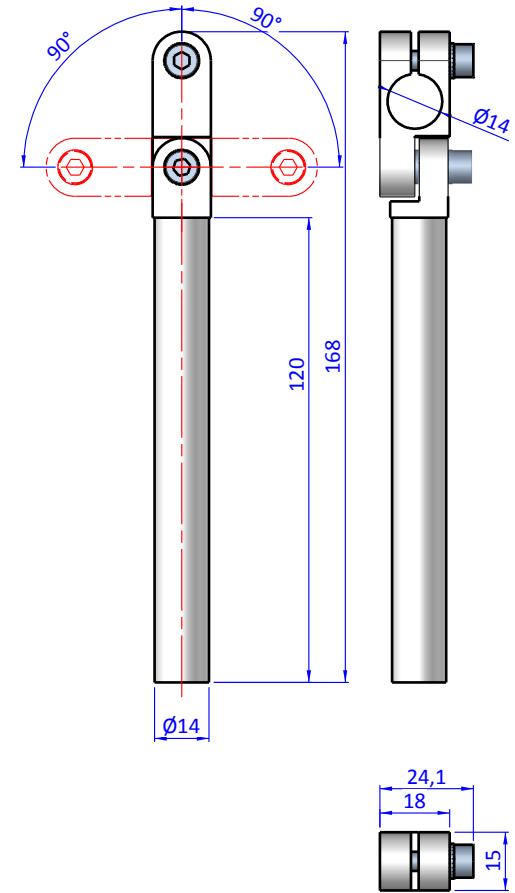
MODIFICAZIONI VARIED DIMENSIONI AS OF DATE

1	2	3
4	5	6

Format A3
UNI 936-76



Object Number	Name	QTY
1	GLA.14.2	1
2	GLA.14.3	1
3	R.5.SCH	3
4	V-tcei M 5 x 18	2
5	WKA.14.120	1



FP SERVICES AUTOMATION		DESIGNED FROM FPSERVICES	
GENERAL TOLERANCE UNI - ISO 2768 CLASSE f		DATE 15/12/2016	WEIGHT 0,060kg
DESCRIPTION CA.GLA.1414.120		CODE CA.GLA.1414.120	