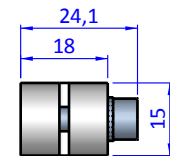
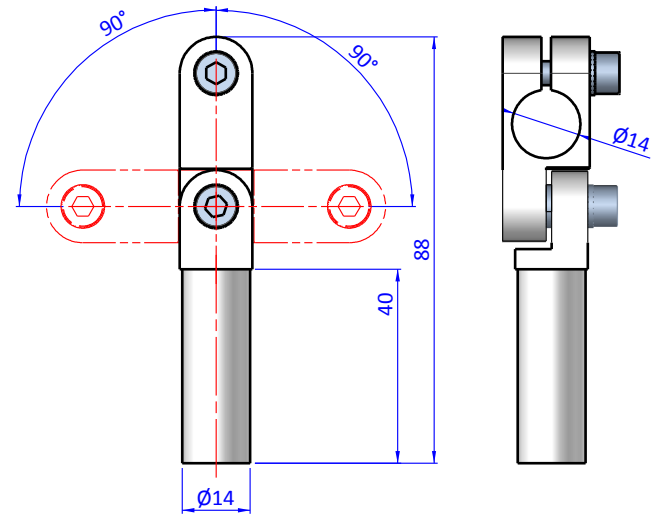
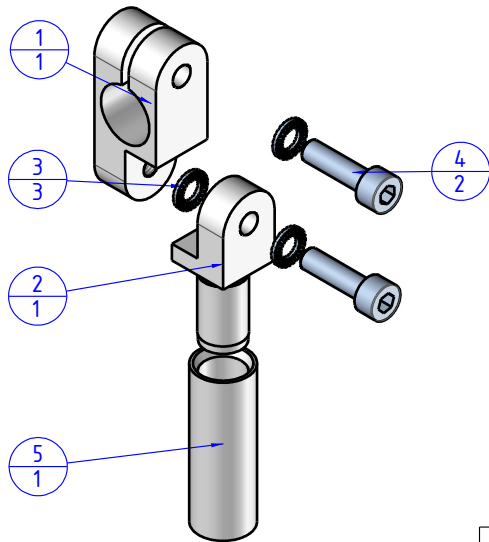


THE PROPERTY OF THE DRAWING IS ESTABLISHED BY LAW  
IT IS FORBIDDEN TO PRODUCE OR SHOW IT TO THIRD PART  
WITHOUT A WRITTEN AGREEMENT.

MODIFICAZIONI	VARIED DIMENSIONI AS OF DATE		
7	10	11	12
8			
9			

MODIFICAZIONI	VARIED DIMENSIONI AS OF DATE		
1	4	5	6
2			
3			

Format A3  
UNI 936-76



Object Number	Name	QTY
1	GLA.14.2	1
2	GLA.14.3	1
3	R.5.SCH	3
4	V-tcei M 5 x 18	2
5	WKA.14.40	1

		DESIGNED FROM FPSERVICES	
		DATE 15/12/2016	WEIGHT 0,044kg
GENERAL TOLERANCE UNI - ISO 2768 CLASSE f	DESCRIPTION CA. GLA. 1414.40	CODE CA. GLA. 14 14.40	