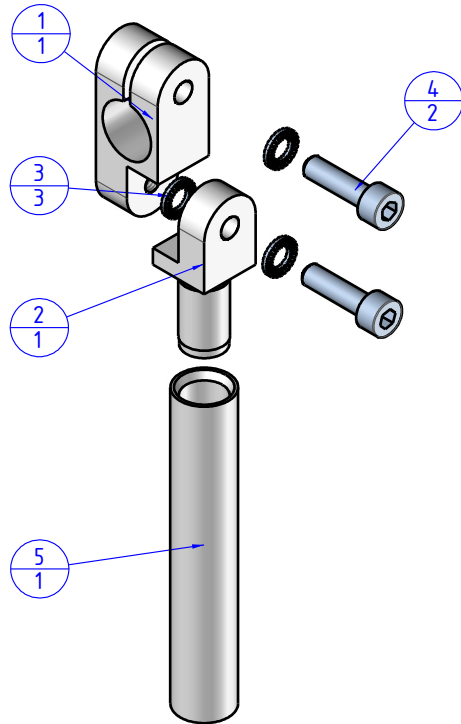


THE PROPERTY OF THE DRAWING IS ESTABLISHED BY LAW  
IT IS FORBIDDEN TO PRODUCE OR SHOW IT TO THIRD PART  
WITHOUT A WRITTEN AGREEMENT.

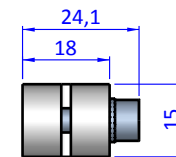
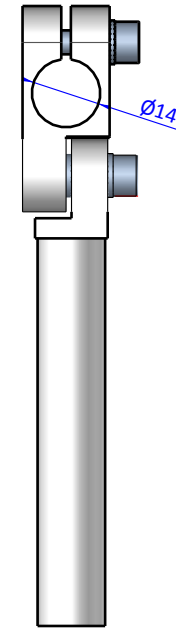
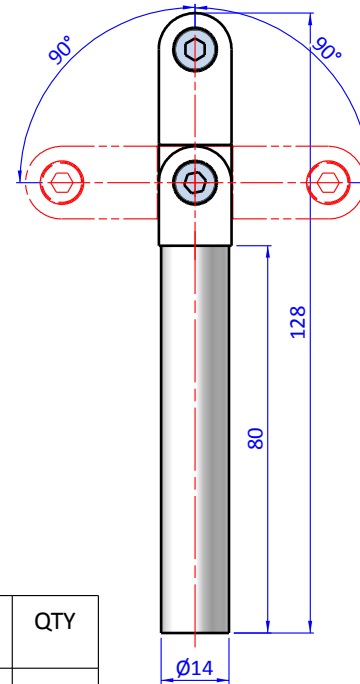
MODIFICAZIONI	VARIED DIMENSIONI AS OF DATE
7	10
8	11
9	12

MODIFICAZIONI	VARIED DIMENSIONI AS OF DATE
1	4
2	5
3	6

Format A3  
UNI 936-76



Object Number	Name	QTY
1	GLA.14.2	1
2	GLA.14.3	1
3	R.5.SCH	3
4	V-tcei M 5 x 18	2
5	WKA.14.80	1



<b>FP SERVICES</b> AUTOMATION		DESIGNED FROM <b>FPSERVICES</b>	
GENERAL TOLERANCE UNI - ISO 2768 CLASSE f		DATE 14/12/2016	WEIGHT 0.054 Kg
DESCRIPTION CA. GLA. 1414.80		CODE CA. GLA. 14 14.80	