

THE PROPERTY OF THIS DRAWING IS ESTABLISHED BY LAW
IT IS FORBIDDEN TO REPRODUCE IT OR SHOW IT TO THIRD PARTY
WITHOUT A WRITTEN AGREEMENT.

MODIFICATIONS:

7	10
8	11
9	12

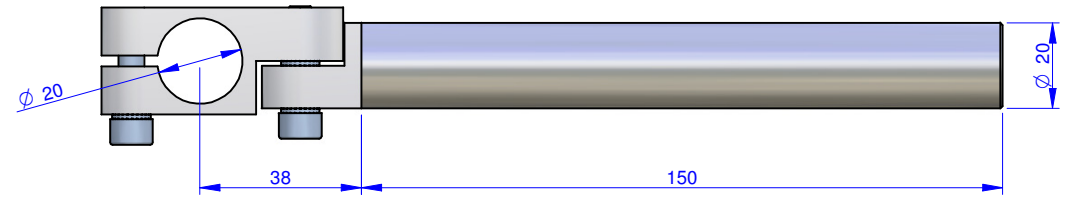
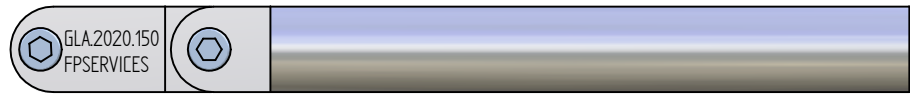
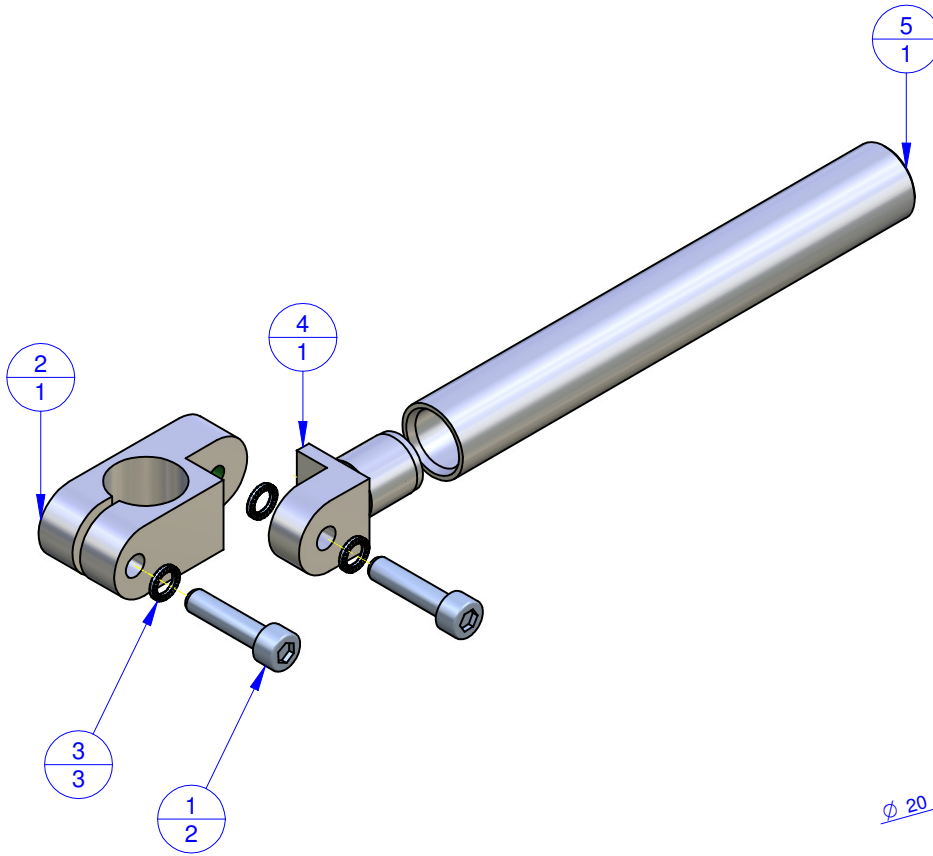
VARIED DIMENSIONS AS OF DATE:

MODIFICATIONS:

1	4
2	5
3	6

VARIED DIMENSIONS AS OF DATE:

Format **A3**
UNI 936-76



Object Number	Name	QTY
1	V.TCE M6X25	2
2	GLA.20.2	1
3	R.6.SCH	3
4	GLA.20.3	1
5	wKA.20.150	1

FP Services <small>GENERAL TOLERANCE: UNI - ISO 2768 CLASSE f</small>		<small>DESIGNED FROM</small> FPSERVICES	
		<small>DATE</small> 08/2015	<small>WEIGHT</small> 0,165 kg
<small>CODE</small> CA.GLA.2020.150			