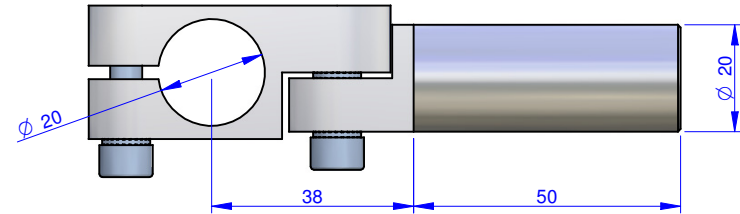
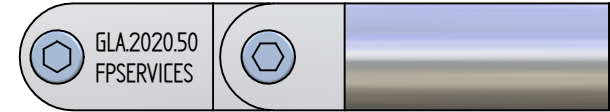
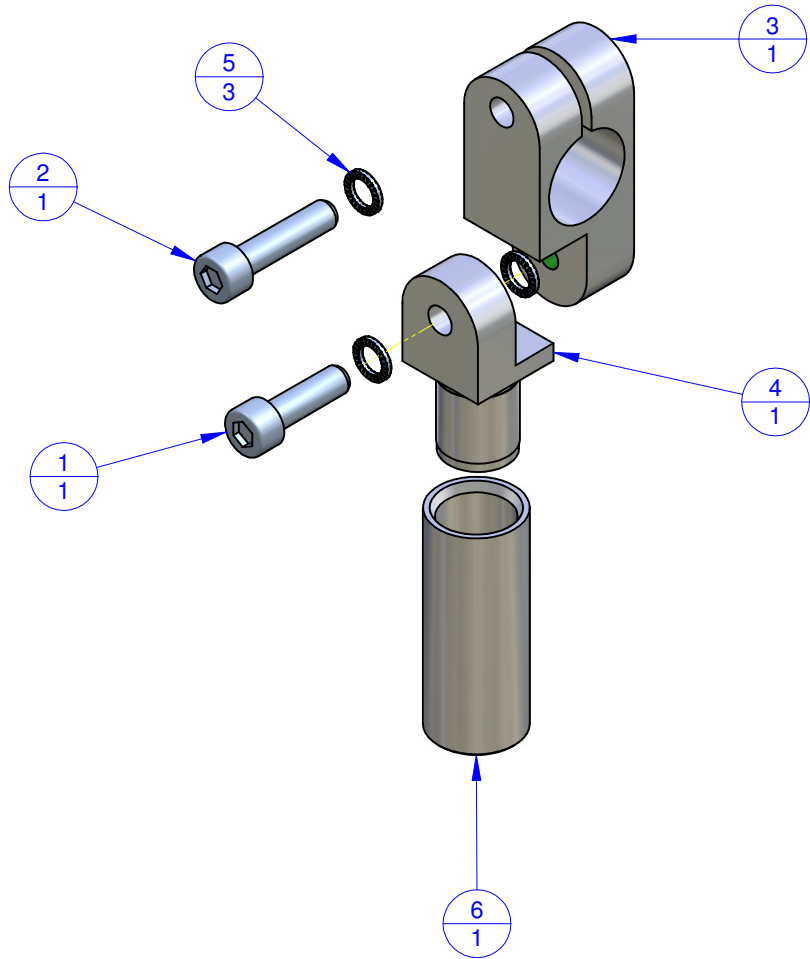


THE PROPERTY OF THIS DRAWING IS ESTABLISHED BY LAW
IT IS FORBIDDEN TO REPRODUCE IT OR SHOW IT TO THIRD PARTY
WITHOUT A WRITTEN AGREEMENT.



MODIFICATIONS: VARIED DIMENSIONS AS OF DATE:

7	10
8	11
9	12

MODIFICATIONS: VARIED DIMENSIONS AS OF DATE:

1	4
2	5
3	6

Format **A3**
UNI 936-76

Object Number	Name	QTY
1	V.TCE6X20	1
2	V.TCE M6X25	1
3	GLA.20.2	1
4	GLA.20.3	1
5	R.6.SCH	3
6	WKA.20.50	1

FP Services		DESIGNED FROM FPSERVICES	
GENERAL TOLERANCE: UNI - ISO 2768 CLASSE f		DATE 08/2015	WEIGHT 0,093 kg
DESCRIPTION		CODE CA.GLA.2020.50	