

THE PROPERTY OF THIS DRAWING IS ESTABLISHED BY LAW  
IT IS FORBIDDEN TO REPRODUCE IT OR SHOW IT TO THIRD PARTY  
WITHOUT A WRITTEN AGREEMENT.

MODIFICATIONS: \_\_\_\_\_

VARIED DIMENSIONS AS OF DATE:

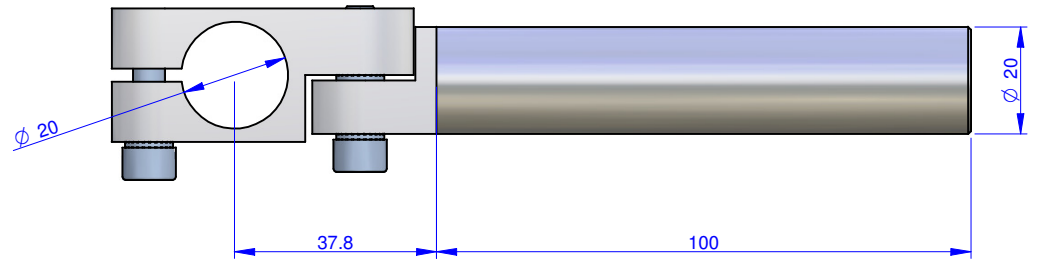
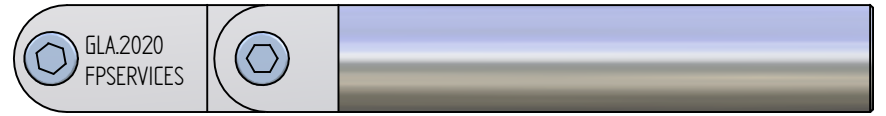
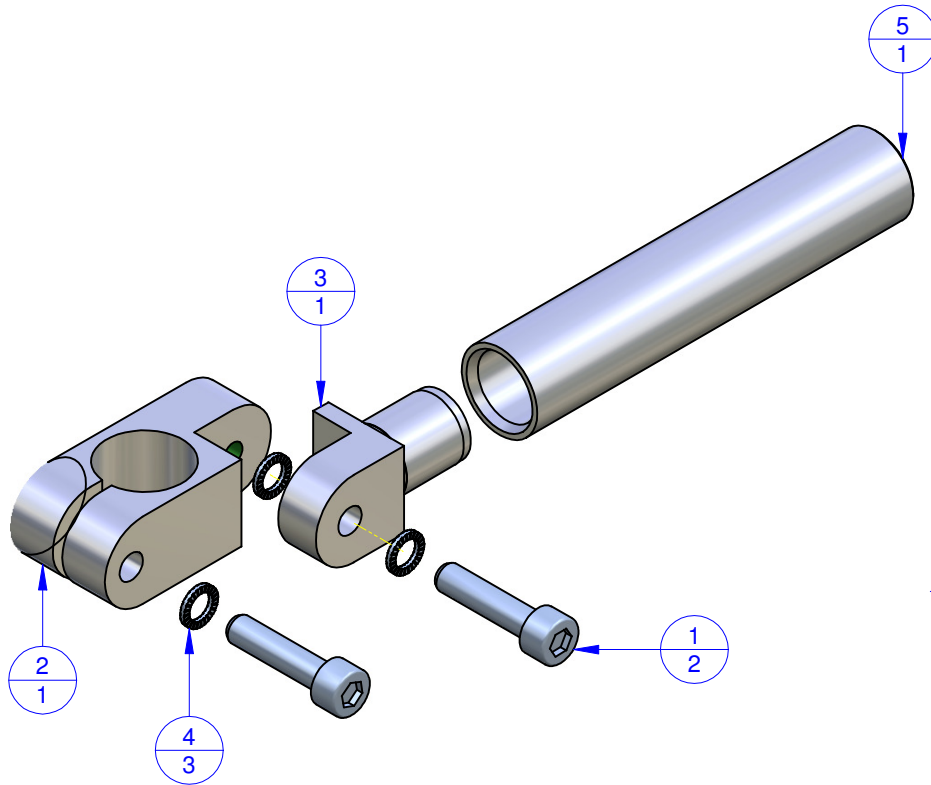
7	10
8	11
9	12

MODIFICATIONS: \_\_\_\_\_

VARIED DIMENSIONS AS OF DATE:

1	4
2	5
3	6

Format **A3**  
UNI 936-76



Object Number	Name	QTY
1	V.TCE M6X25	2
2	GLA.20.2	1
3	GLA.20.3	1
4	R.6.SCH	3
5	WKA.20.100	1

<p><b>FP Services</b></p> <p>GENERAL TOLERANCE: UNI - ISO 2768 CLASSE f</p>			DESIGNED FROM	
			FPSERVICES	
		DATE	WEIGHT	
		08/2015	0,113 kg	
		CODE		
		CA.GLA.2020		