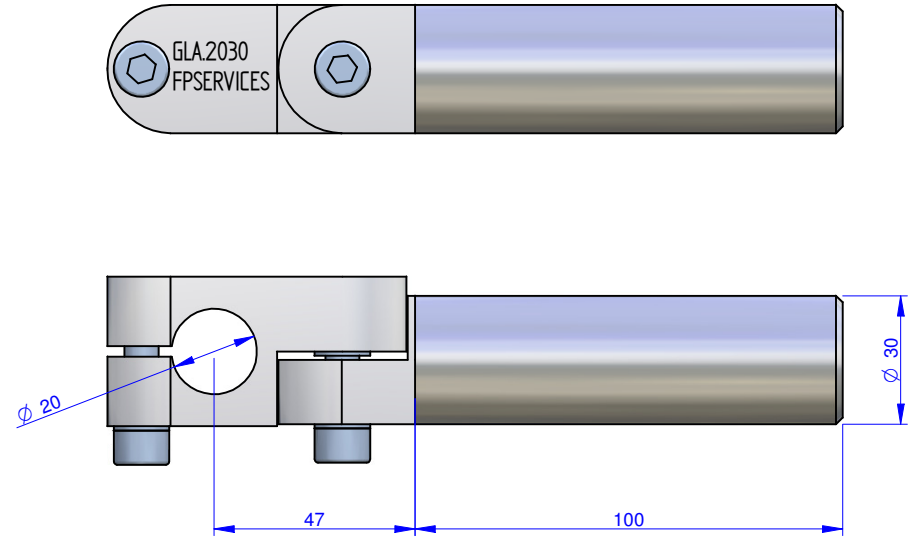
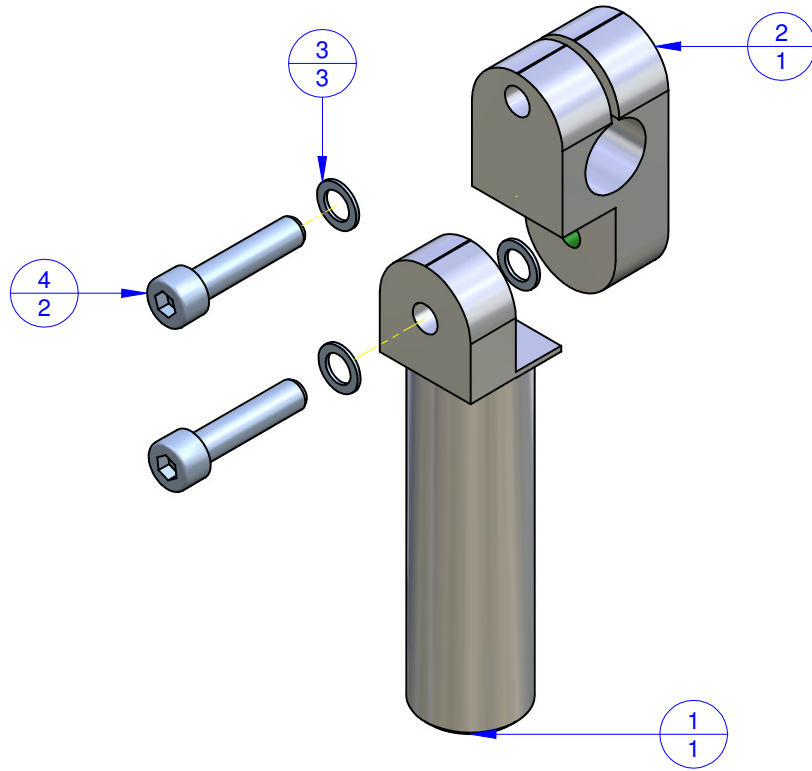


THE PROPERTY OF THIS DRAWING IS ESTABLISHED BY LAW
IT IS FORBIDDEN TO REPRODUCE IT OR SHOW IT TO THIRD PARTY
WITHOUT A WRITTEN AGREEMENT.



Object Number	Name	QTY
1	GLA.30.1	1
2	GLA.20.2.30	1
3	R.8.SCH	3
4	V.TCE8X35	2

MODIFICATIONS: VARIED DIMENSIONS AS OF DATE:

7	10
8	11
9	12

MODIFICATIONS: VARIED DIMENSIONS AS OF DATE:

1	4
2	5
3	6

Format **A3**
UNI 936-76

FP Services		DESIGNED FROM FPSERVICES	
		DATE 12/2014	WEIGHT 0,315 kg
GENERAL TOLERANCE: UNI - ISO 2768 CLASSE f		CODE CA.GLA.2030	

