

THE PROPERTY OF THIS DRAWING IS ESTABLISHED BY LAW  
IT IS FORBIDDEN TO REPRODUCE IT OR SHOW IT TO THIRD PARTY  
WITHOUT A WRITTEN AGREEMENT.

MODIFICATIONS:

7	8	9
10	11	12

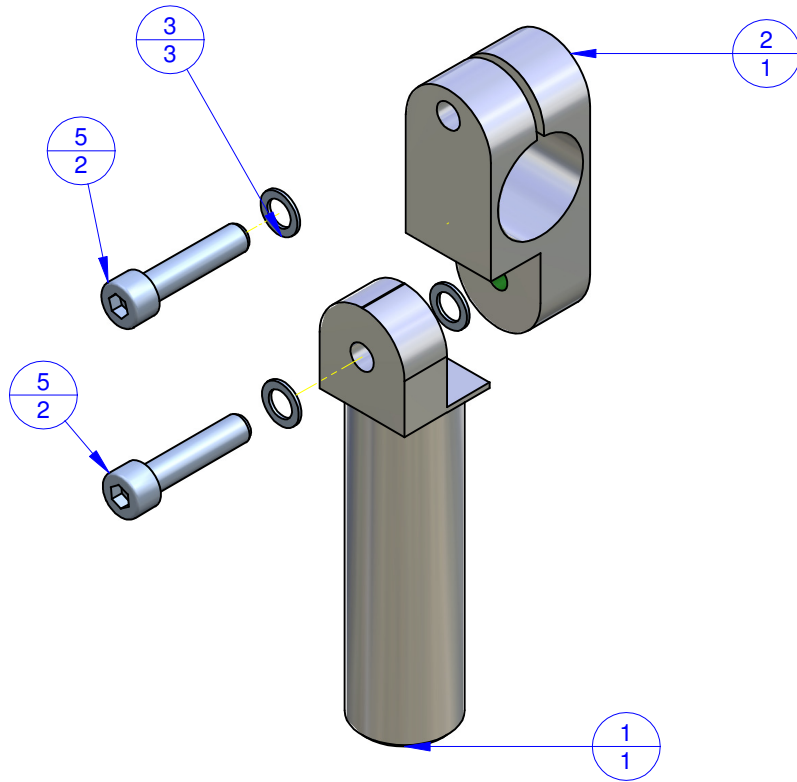
VARIED DIMENSIONS AS OF DATE:

MODIFICATIONS:

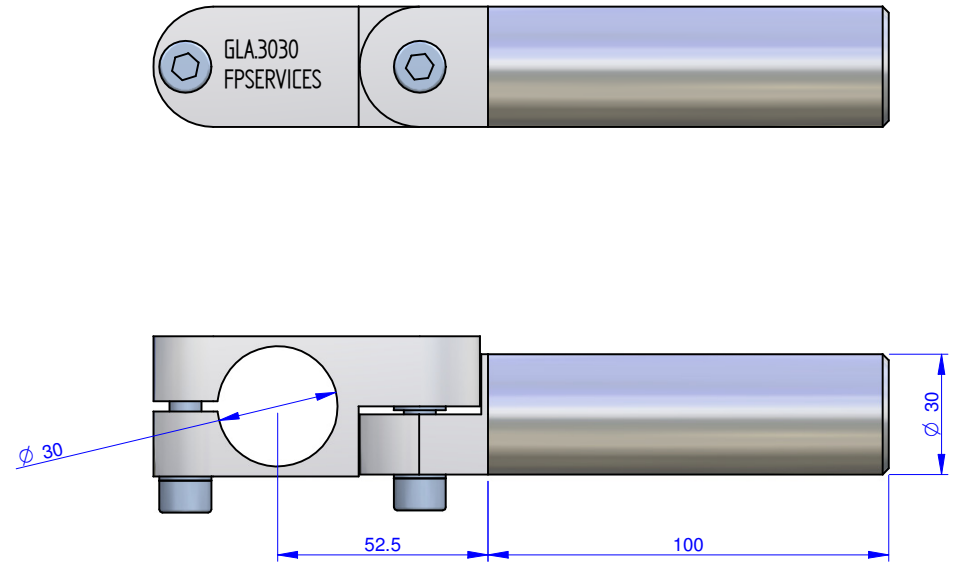
1	2	3
4	5	6


VARIED DIMENSIONS AS OF DATE:

Format **A3**  
UNI 936-76



Object Number	Name	QTY
1	GLA.30.1	1
2	GLA.30.2	1
3	R.8.SCH	3
5	V.TCE8X35	2



<b>FP Services</b> 		DESIGNED FROM FPSERVICES	
		DATE 12/2014	WEIGHT 0,315 kg
GENERAL TOLERANCE: UNI - ISO 2768 CLASSE f		CODE <b>CA.GLA.3030</b>	

