

THE PROPERTY OF THE DRAWING IS ESTABLISHED BY LAW
IT IS FORBIDDEN TO PRODUCE OR SHOW IT TO THIRD PART
WITHOUT A WRITTEN AGREEMENT.

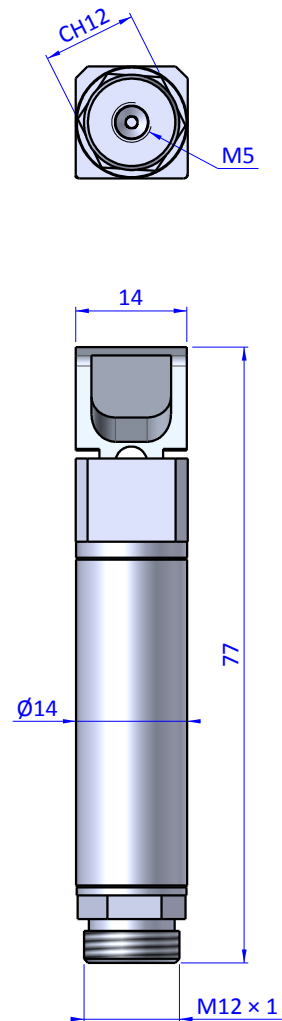
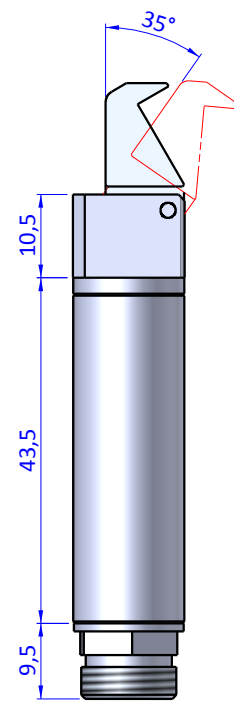
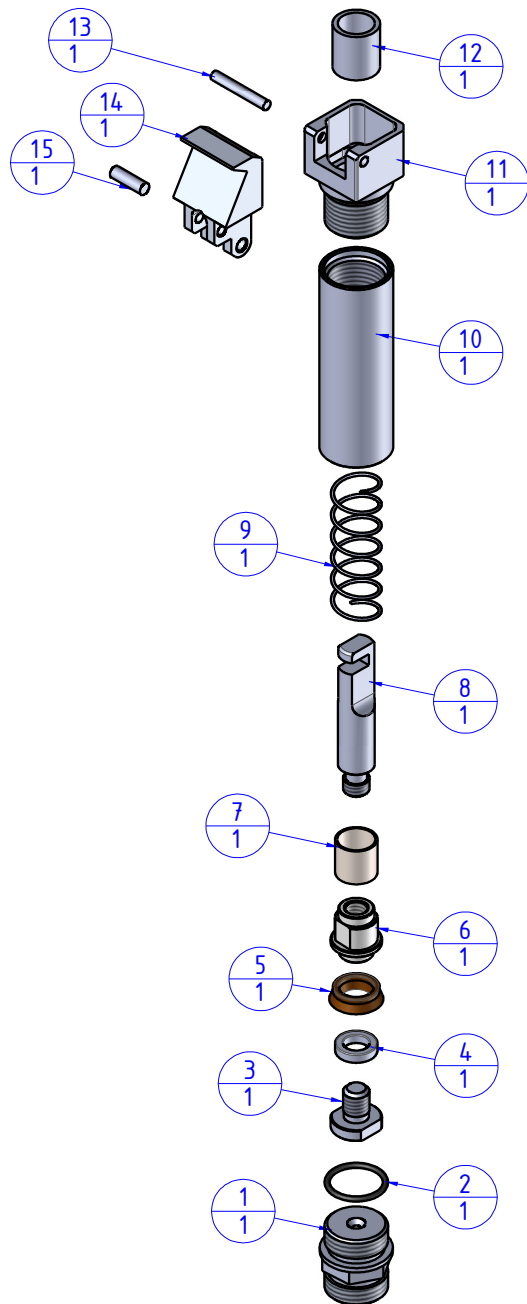
MODIFICATIONS	VARIED DIMENSIONS AS OF DATE:		
7	10	11	12
8			
9			

MODIFICATIONS	VARIED DIMENSIONS AS OF DATE:		
1	4	5	6
2			
3			

Format A3

UNI 938-76

Item	Name	Q.ty
1	GRF14.95.01	1
2	ORM.0100.10	1
3	GRF14.95.03.2	1
4	GRF14.95.10	1
5	PSP.100603	1
6	GRF14.95.03	1
7	GRF14.35.08	1
8	GRF14.95.04	1
9	M.10X32A	1
10	GRF14.95.02	1
11	GRF14.95.05	1
12	PAP.070910	1
13	SP.2x14M6	1
14	GRF14.35.07	1
15	SP.2,5x08M6	1



FP SERVICES AUTOMATION		DESIGNED FROM FPSERVICES	
GENERAL TOLERANCE UNI - ISO 2768 CLASSE f		DATE 29/11/2017	WEIGHT 0,029kg
		CODE CA.GRF.1435	