

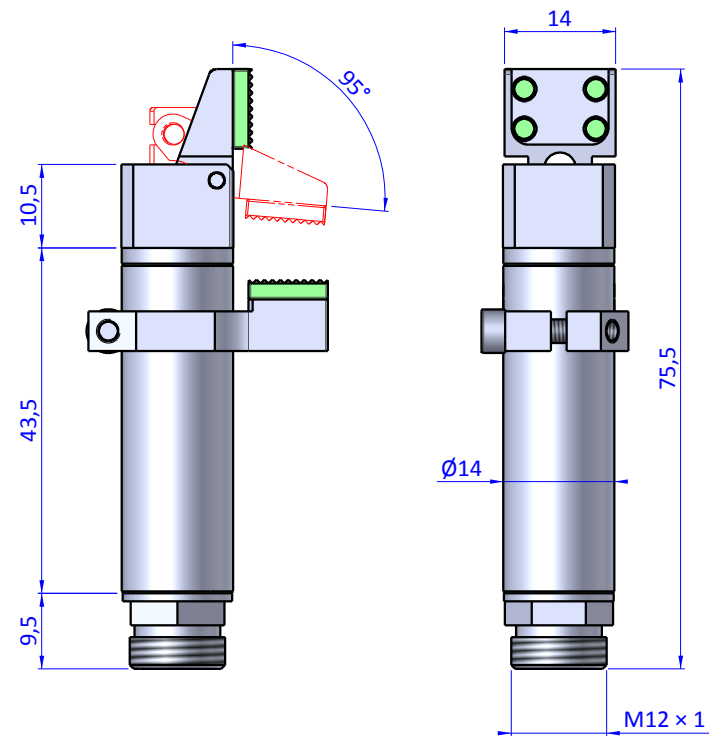
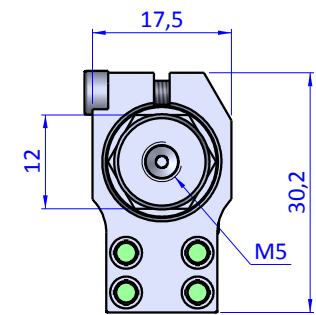
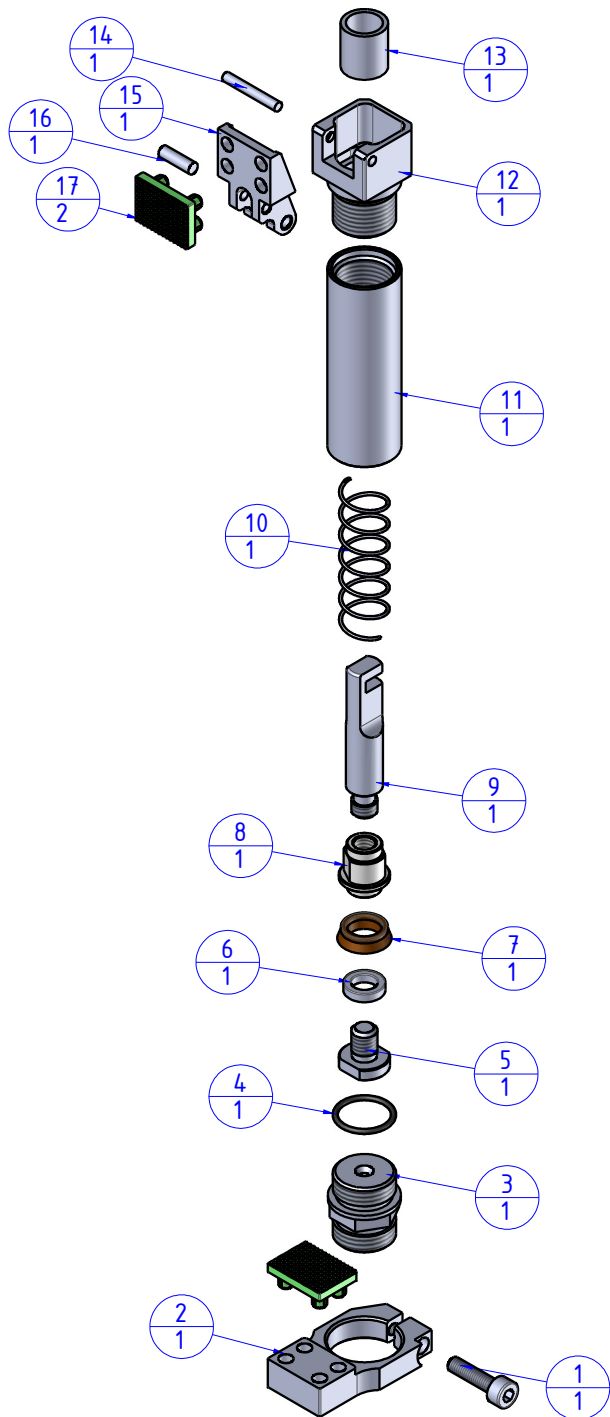
THE PROPERTY OF THE DRAWING IS ESTABLISHED BY LAW
IT IS FORBIDDEN TO PRODUCE OR SHOW IT TO THIRD PARTY
WITHOUT A WRITTEN AGREEMENT.

MODIFICATIONS	VARIED DIMENSIONS AS OF DATE:
7	10
8	11
9	12

MODIFICATIONS	VARIED DIMENSIONS AS OF DATE:
1	4
2	5
3	6

Format A3
UNI 936-76

Item	Name	Q.ty
1	V.TCE3x12	1
2	GRF14.95.07	1
3	GRF14.95.01	1
4	ORM.0100.10	1
5	GRF14.95.03.2	1
6	GRF14.95.10	1
7	PSP.100603	1
8	GRF14.95.03	1
9	GRF14.95.04	1
10	M.10X32A	1
11	GRF14.95.02	1
12	GRF14.95.05	1
13	PAP.070910	1
14	SP.2x14M6	1
15	GRF14.95.09	1
16	SP.2,5x08M6	1
17	GRF14.95.08.V	2



		DESIGNED FROM	
		FPSERVICES	
GENERAL TOLERANCE		REV:	DATE
UNI - ISO 2768		A / 8	29/11/2017
CLASSE f		WEIGHT	
		0,032kg	
		CODE	
		CA.GRF.1495.G	