

THE PROPERTY OF THE DRAWING IS ESTABLISHED BY LAW  
IT IS FORBIDDEN TO PRODUCE OR SHOW IT TO THIRD PART  
WITHOUT A WRITTEN AGREEMENT.

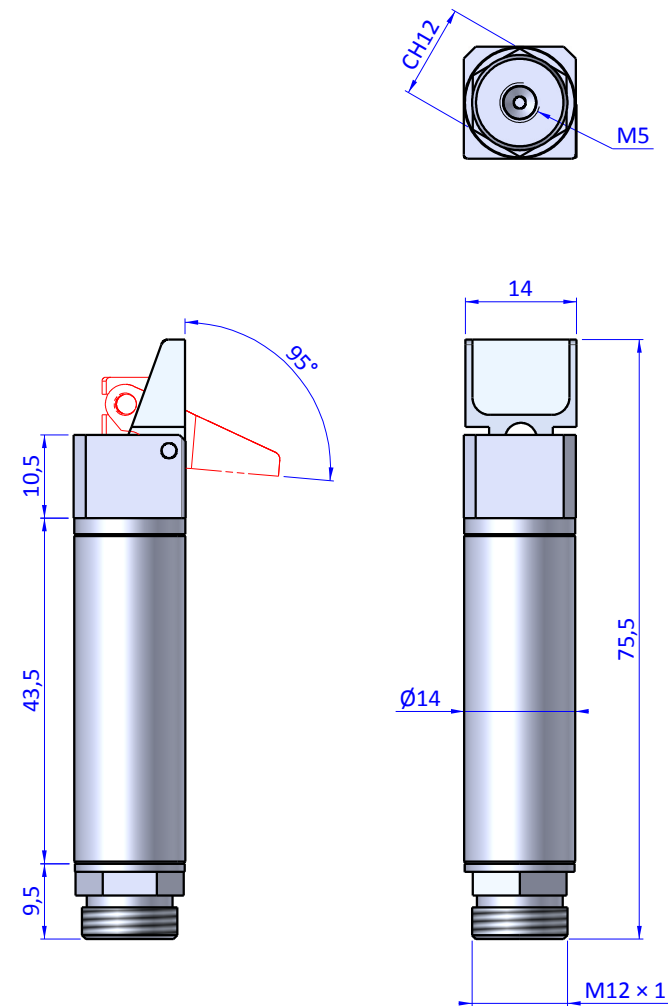
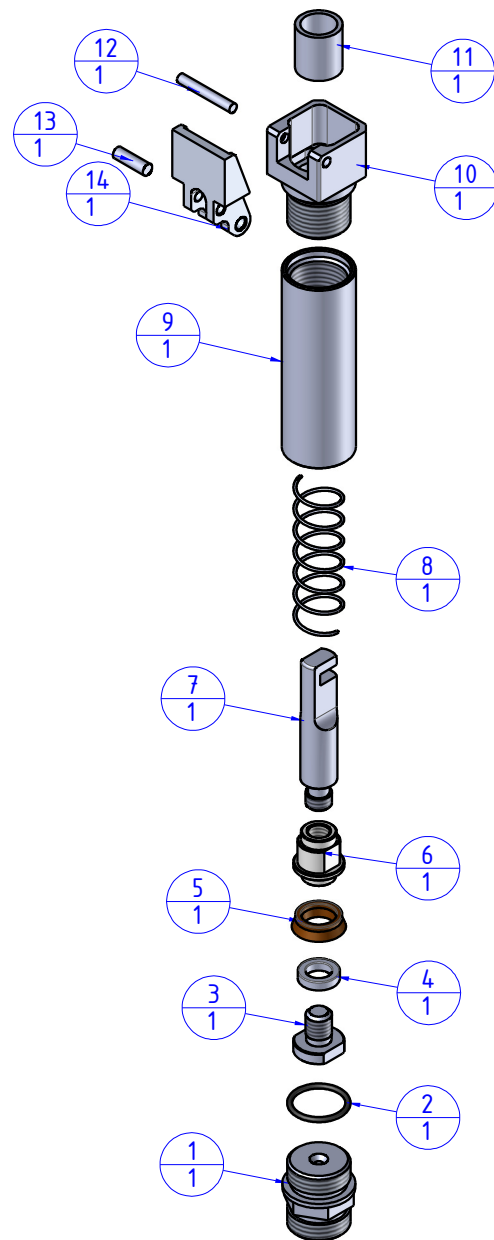
MODIFICATIONS	VARIED DIMENSIONS AS OF DATE:
7	10
8	11
9	12

MODIFICATIONS	VARIED DIMENSIONS AS OF DATE:
1	4
2	5
3	6

Format A3

UNI 936-76

Item	Name	Q.ty
1	GRF14.95.01	1
2	ORM.0100.10	1
3	GRF14.95.03.2	1
4	GRF14.95.10	1
5	PSP.100603	1
6	GRF14.95.03	1
7	GRF14.95.04	1
8	M.10X32A	1
9	GRF14.95.02	1
10	GRF14.95.05	1
11	PAP.070910	1
12	SP.2x14M6	1
13	SP.2,5x08M6	1
14	GRF14.95.06	1



<b>FP SERVICES</b> AUTOMATION		DESIGNED FROM <b>FPSERVICES</b>	
GENERAL TOLERANCE UNI - ISO 2768 CLASSE f		DESCRIPTION	REV: <b>A / 6</b>
		DATE 29/11/2017	WEIGHT 0,028kg
		CODE <b>CA.GRF.1495</b>	