

THE PROPERTY OF THE DRAWING IS ESTABLISHED BY LAW
IT IS FORBIDDEN TO PRODUCE OR SHOW IT TO THIRD PARTY
WITHOUT A WRITTEN AGREEMENT.

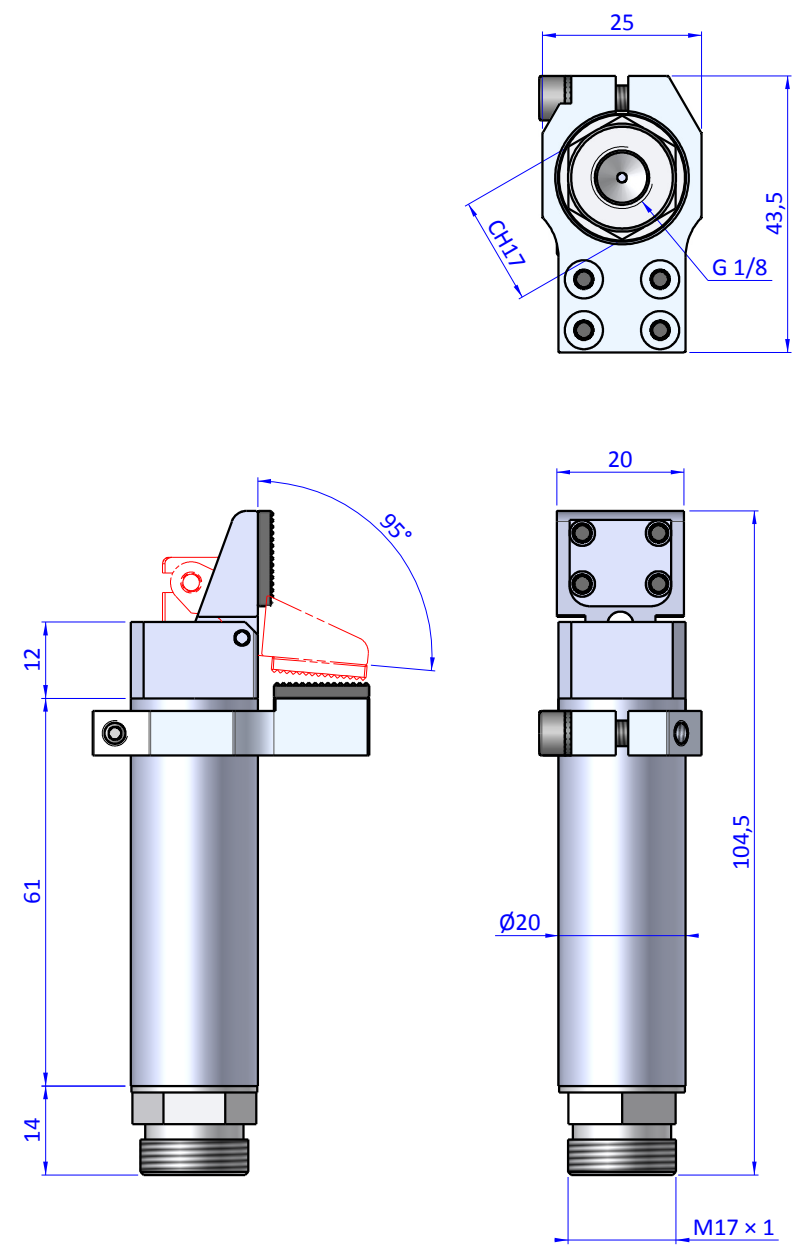
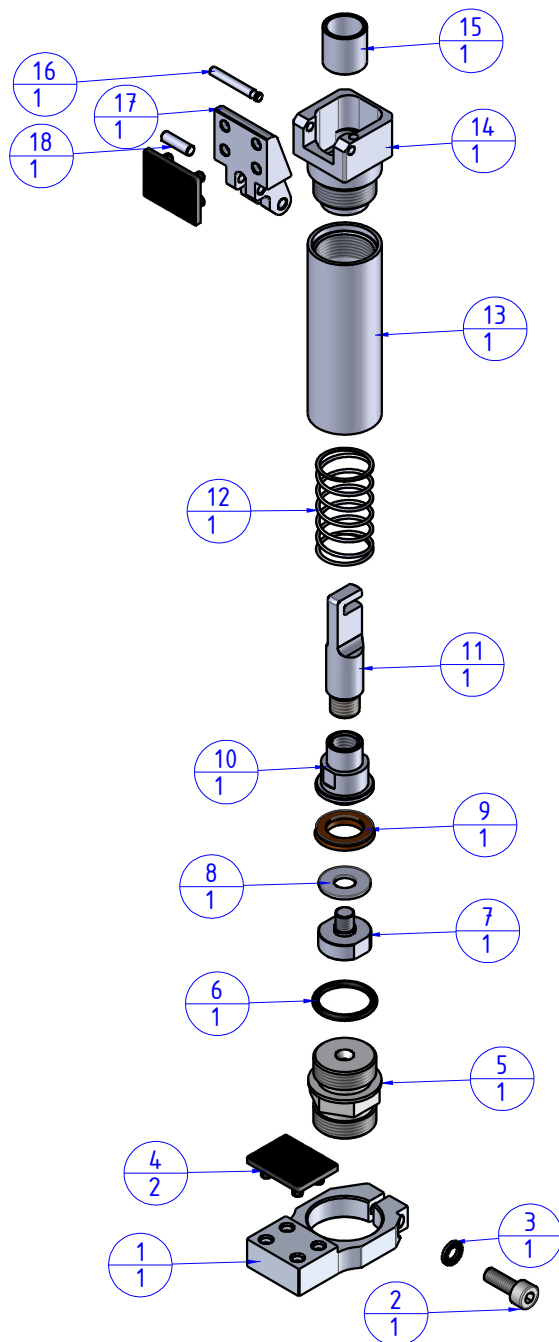
MODIFICATIONS	VARIED DIMENSIONS AS OF DATE:
7	10
8	11
9	12

MODIFICATIONS	VARIED DIMENSIONS AS OF DATE:
1	4
2	5
3	6

Format A3

UNI 936-76

Item	Name	Q.ty
1	GRF20.95.07	1
2	V.TCE4x12	1
3	R.4.SCH	1
4	GRF20.95.08.TPE	2
5	GRF20.95.01	1
6	OR.2056	1
7	GRF20.95.03.2	1
8	GRF20.95.10	1
9	PSP.1610255	1
10	GRF20.95.03	1
11	GRF20.95.04	1
12	M.GRF.2095.1	1
13	GRF20.95.02	1
14	GRF20.95.05	1
15	PAP.101210	1
16	SP.2,5x18M6	1
17	GRF20.95.09	1
18	SP.3x10M6	1



				DESIGNED FROM	
				FPSERVICES	
GENERAL TOLERANCE		DESCRIPTION		REV:	DATE
UNI - ISO 2768				A / 1	06/12/2017
CLASSE f					WEIGHT
					0,086kg
				CODE	
				CA.GRF.2095.GTPE	