

THE PROPERTY OF THE DRAWING IS ESTABLISHED BY LAW  
IT IS FORBIDDEN TO PRODUCE OR SHOW IT TO THIRD PART  
WITHOUT A WRITTEN AGREEMENT.

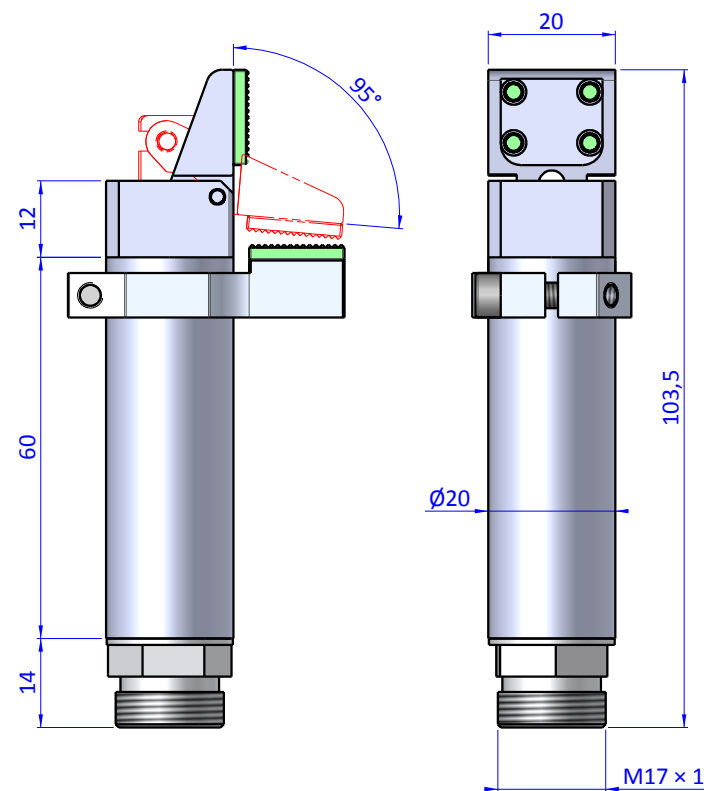
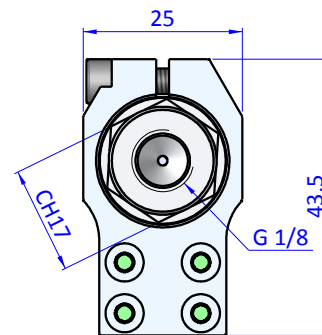
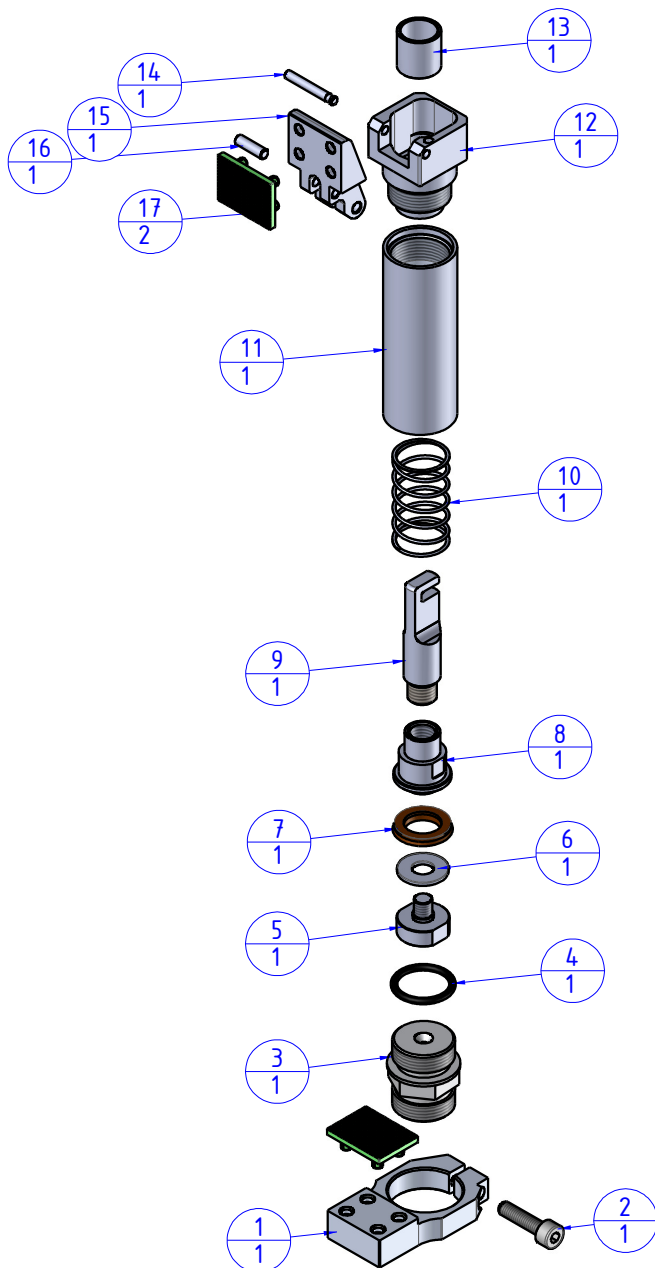
MODIFICATIONS	VARIED DIMENSIONS AS OF DATE:
7	10
8	11
9	12

MODIFICATIONS	VARIED DIMENSIONS AS OF DATE:
1	4
2	5
3	6

Format A3

UNI 938-76

Item	Name	Q.ty
1	GRF20.95.07	1
2	V.TCE4x16	1
3	GRF20.95.01	1
4	OR.2056	1
5	GRF20.95.03.2	1
6	GRF20.95.10	1
7	PSP.1610255	1
8	GRF20.95.03	1
9	GRF20.95.04	1
10	M.GRF.2095.1	1
11	GRF20.95.02	1
12	GRF20.95.05	1
13	PAP.101210	1
14	SP.2,5x18M6	1
15	GRF20.95.09	1
16	SP.3x10M6	1
17	GRF20.95.08.V	2



				DESIGNED FROM	
		FP SERVICES		DATE	WEIGHT
GENERAL TOLERANCE	DESCRIPTION	REV:	29/11/2017      0,084kg		
UNI - ISO 2768		A / 3	CODE CA.GRF.2095.G		
CLASSE f					