

THE PROPERTY OF THE DRAWING IS ESTABLISHED BY LAW
IT IS FORBIDDEN TO PRODUCE OR SHOW IT TO THIRD PARTY
WITHOUT A WRITTEN AGREEMENT.

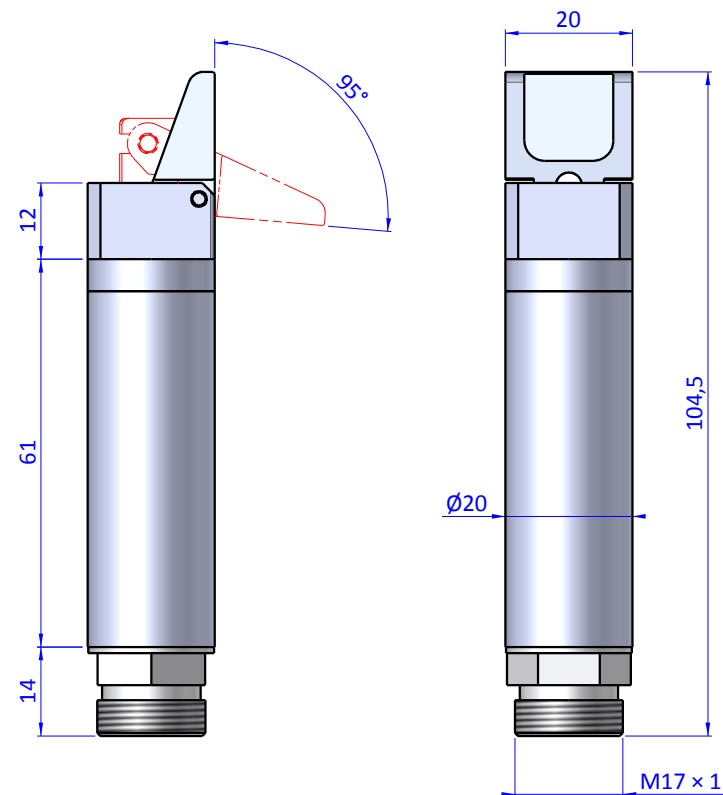
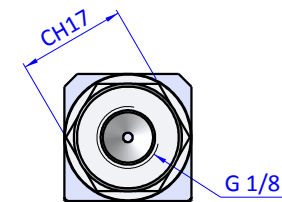
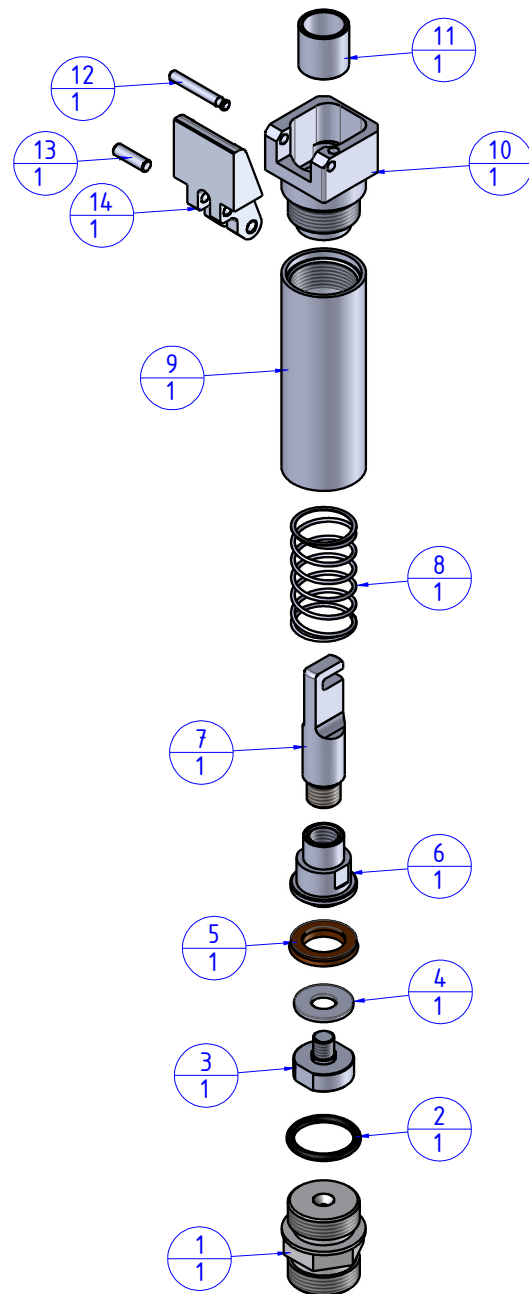
MODIFICATIONS	VARIED DIMENSIONS AS OF DATE:		
7	10	11	12
8			
9			

MODIFICATIONS	VARIED DIMENSIONS AS OF DATE:		
1	4	5	6
2			
3			

Format A3

UNI 936-76

Item	Name	Q.ty
1	GRF20.95.01	1
2	OR.2056	1
3	GRF20.95.03.2	1
4	GRF20.95.10	1
5	PSP.1610255	1
6	GRF20.95.03	1
7	GRF20.95.04	1
8	M.GRF.2095.1	1
9	GRF20.95.02	1
10	GRF20.95.05	1
11	PAP.101210	1
12	SP.2,5x18M6	1
13	SP.3x10M6	1
14	GRF20.95.06	1



				DESIGNED FROM	
				FPSERVICES	
GENERAL TOLERANCE	DESCRIPTION	REV:	DATE	WEIGHT	
UNI - ISO 2768		A / 1	06/12/2017	0,072kg	
CLASSE f			CODE	CA.GRF.2095	