

THE PROPERTY OF THIS DRAWING IS ESTABLISHED BY LAW
IT IS FORBIDDEN TO REPRODUCE IT OR SHOW IT TO THIRD PARTY
WITHOUT A WRITTEN AGREEMENT.

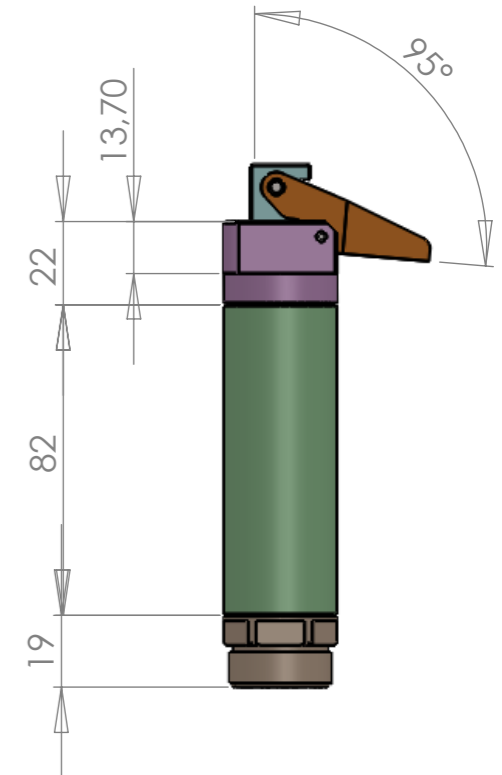
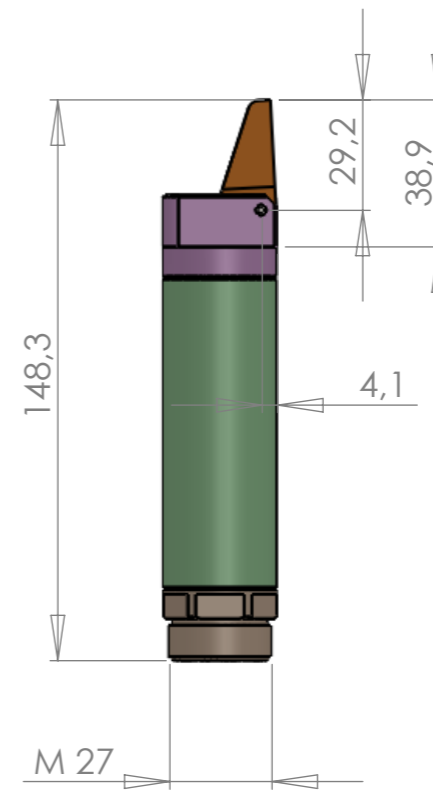
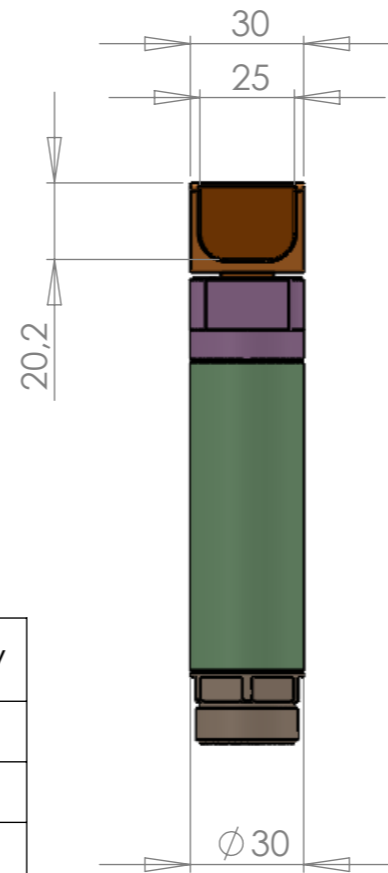
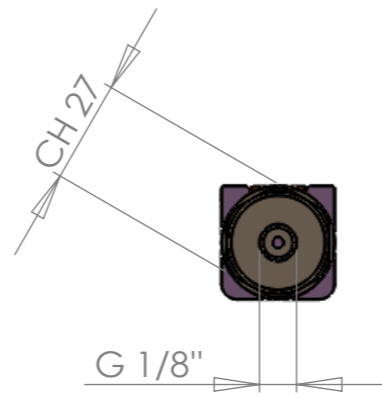
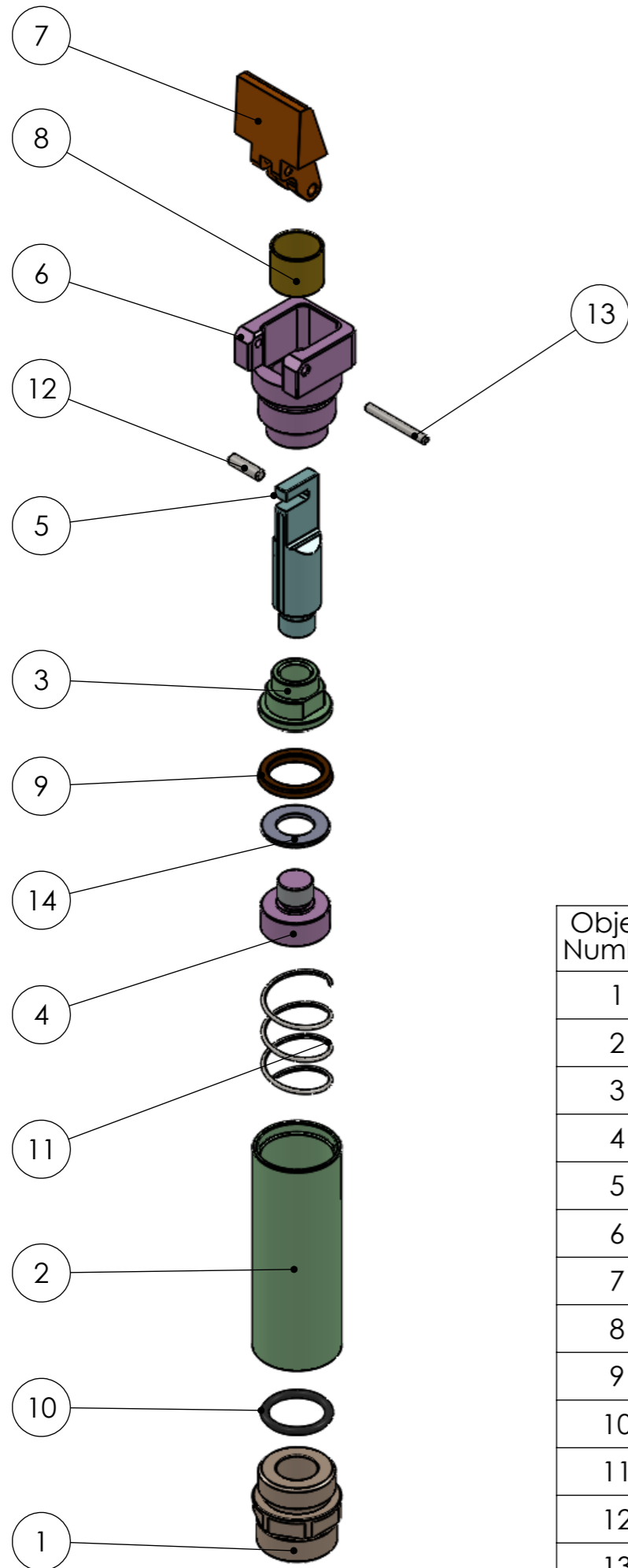
MODIFICATIONS: VARIED DIMENSIONS AS OF DATE:

7. _____
8. _____
9. _____
10. _____
11. _____
12. _____

MODIFICATIONS: VARIED DIMENSIONS AS OF DATE:

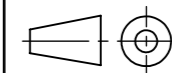
1. _____
2. _____
3. _____
4. _____
5. _____
6. _____

Format A3
UNI 936-76



Object Number	Name	Qty
1	GRF30.95.01	1
2	GRF30.95.02	1
3	GRF30.95.03	1
4	GRF30.95.03.2	1
5	GRF30.95.04	1
6	GRF30.95.05	1
7	GRF30.95.06	1
8	PAP.161815	1
9	PSP.251935	1
10	OR 119	1
11	M.24X66	1
12	SP.4X14M6	1
13	SP.3X28M6	1
14	GRF30.95.010	1

FP Services



DESIGNED FROM
FPSERVICES

DATE 25/03/15 WEIGHT 0.240 kg

GENERAL TOLERANCE
UNI - ISO 2768
CLASSE f

DESCRIPTION
PINZA PNEUMATICA MONODITO

CODE
CA.GRF.3095