

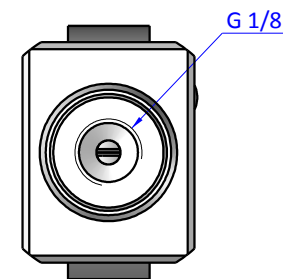
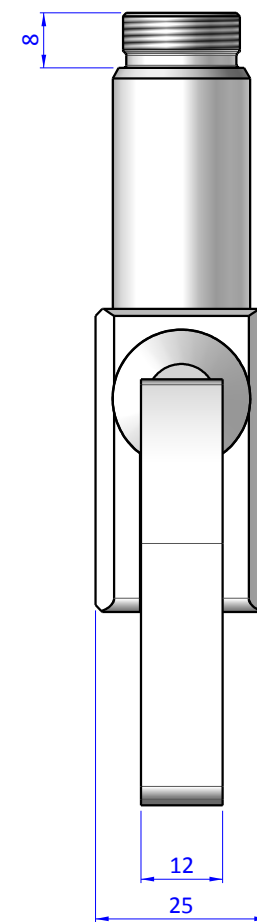
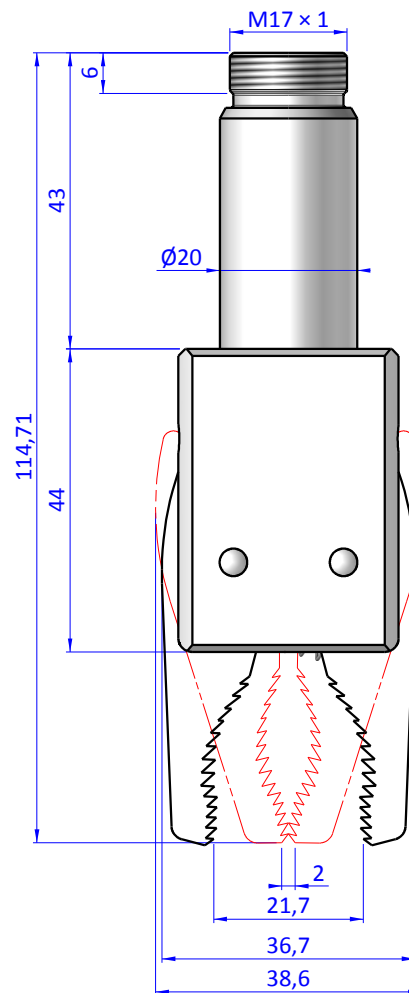
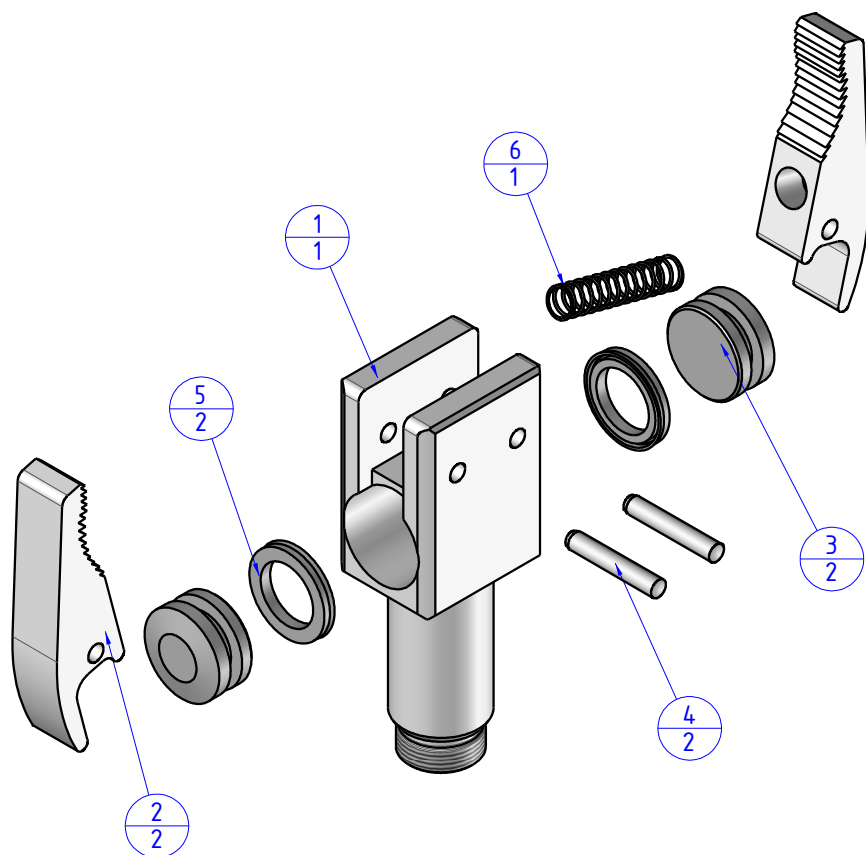
THE PROPERTY OF THE DRAWING IS ESTABLISHED BY LAW
IT IS FORBIDDEN TO PRODUCE OR SHOW IT TO THIRD PART
WITHOUT A WRITTEN AGREEMENT.

Item	Name	Qty.
1	GRZ.20.01	1
2	GRZ.20.E	2
3	GRZ.20.2	2
4	SP.4X24M6	2
5	PSP.2014255	2
6	DIM.11930	1

MODIFICATIONS	VARIED DIMENSIONS AS OF DATE:
7	10
8	11
9	12

MODIFICATIONS	VARIED DIMENSIONS AS OF DATE:
1	4
2	5
3	6

Format A3
UNI 936-76



FP SERVICES AUTOMATION		DESIGNED FROM FPSERVICES	
GENERAL TOLERANCE UNI - ISO 2768 CLASSE f		DESCRIPTION	REV: A / 3
		DATE 12/10/2017	WEIGHT 0,085kg
		CODE CA.GRZ.20.E	