

THE PROPERTY OF THE DRAWING IS ESTABLISHED BY LAW
IT IS FORBIDDEN TO PRODUCE OR SHOW IT TO THIRD PART
WITHOUT A WRITTEN AGREEMENT.

MODIFICATIONS

7	8	9
10	11	12

VARIED DIMENSIONS AS OF DATE:

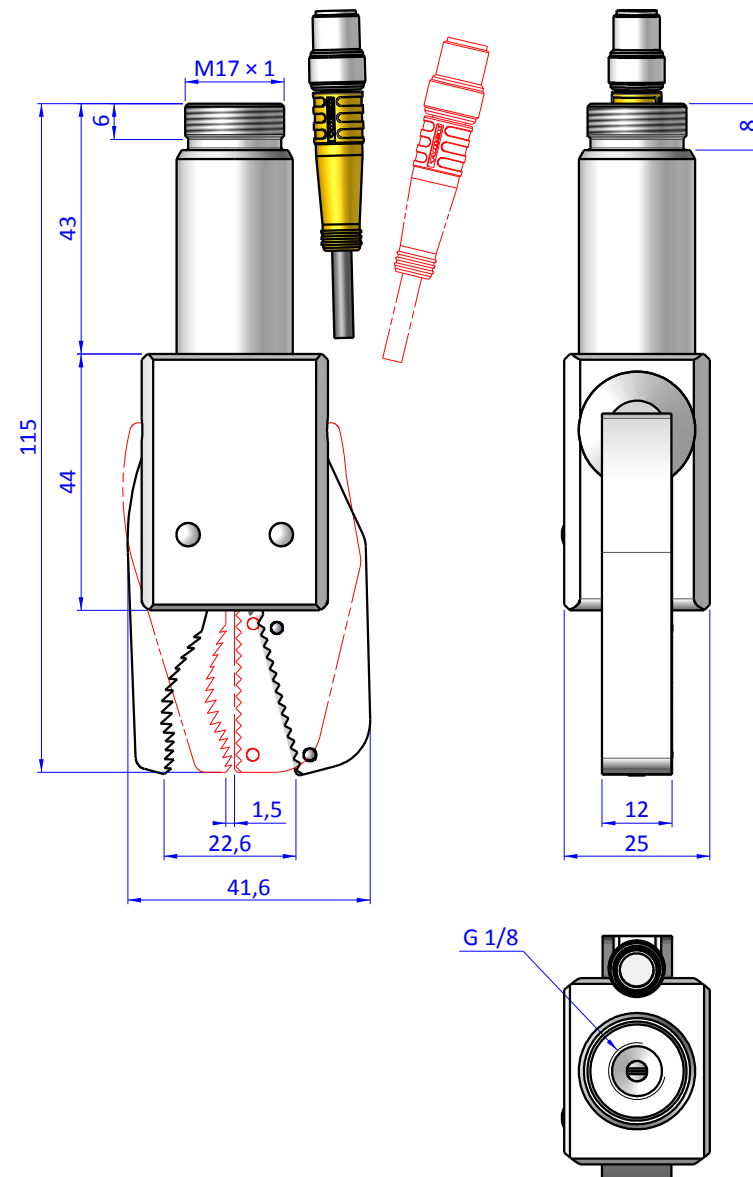
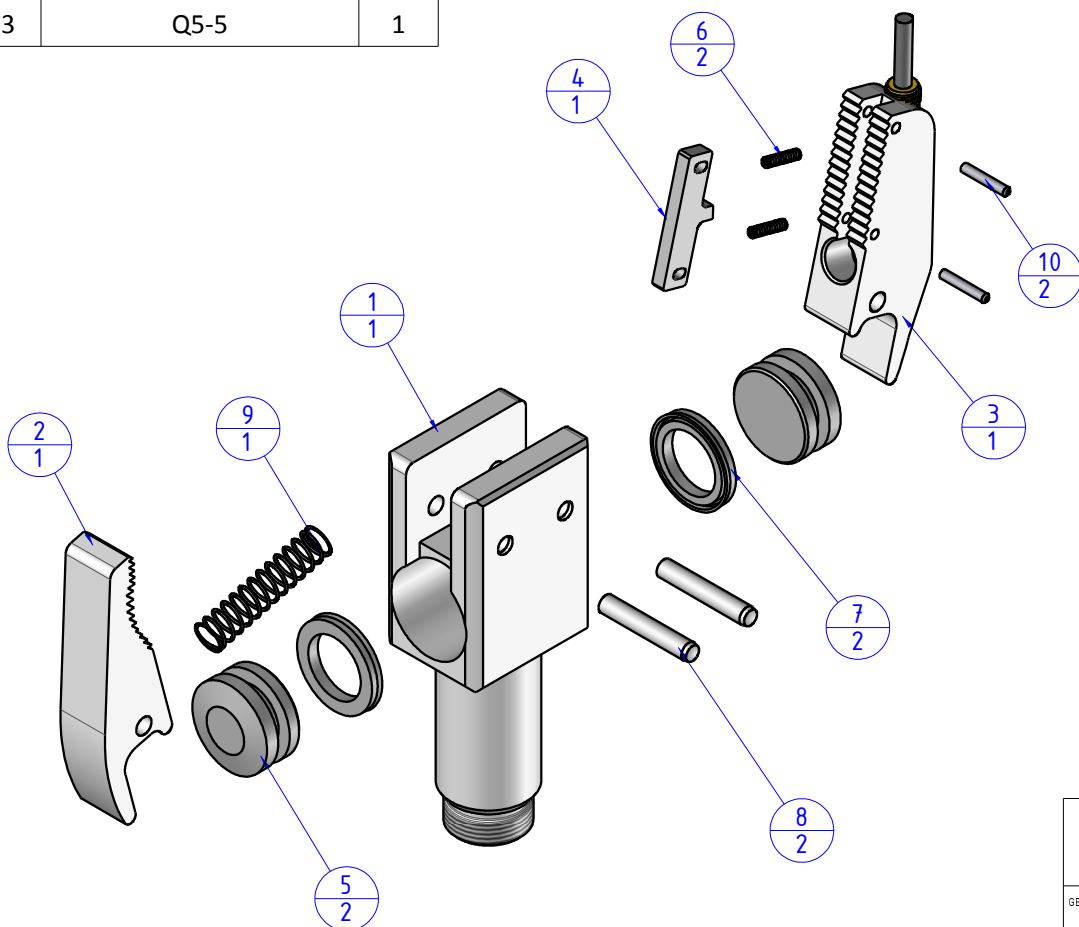
MODIFICATIONS

1	2	3
4	5	6

VARIED DIMENSIONS AS OF DATE:

Format A3
UNI 936-76

Item	Name	Qty.
1	GRZ.20.01	1
2	GRZ.20.E	1
3	GRZ.20.S	1
4	GRZ.20.S1	1
5	GRZ.20.2	2
6	DIM.D10630	2
7	PSP.2014255	2
8	SP.4X24M6	2
9	DIM.11930	1
10	SP.2x12M6	2
13	Q5-5	1



FP SERVICES AUTOMATION		DESIGNED FROM FPSERVICES	
GENERAL TOLERANCE UNI - ISO 2768 CLASSE f	DESCRIPTION	REV: A / 7	DATE 16/10/2017 WEIGHT 0,107kg
		CODE CA.GRZ.20.W	