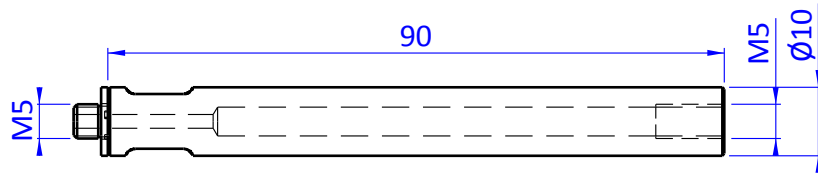
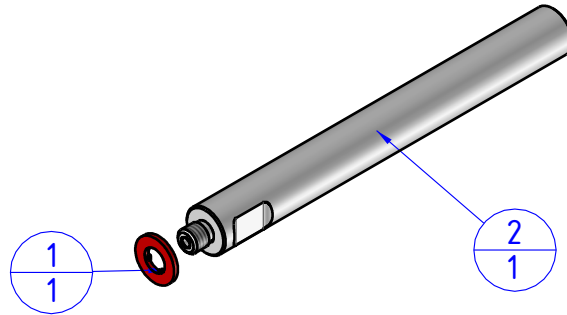


THE PROPERTY OF THE DRAWING IS ESTABLISHED BY LAW
IT IS FORBIDDEN TO PRODUCE OR SHOW IT TO THIRD PARTY
WITHOUT A WRITTEN AGREEMENT.

Item	Name	Qty.
1	CA.08.09.05	1
2	GSEG.100590	1



MODIFICATIONS

7	VARIED DIMENSIONS AS OF DATE:
8	
9	
10	
11	
12	

MODIFICATIONS

1	VARIED DIMENSIONS AS OF DATE:
2	
3	
4	
5	
6	

Format A4
UNI 936-76

		DESIGNED FROM	
		FPSERVICES	
GENERAL TOLERANCE		DATE	WEIGHT
UNI - ISO 2768		31/07/2017	0,016kg
CLASSE f		CODE	
		CA.GSEG.100590	

