

THE PROPERTY OF THIS DRAWING IS ESTABLISHED BY LAW
IT IS FORBIDDEN TO REPRODUCE IT OR SHOW IT TO THIRD PARTY
WITHOUT A WRITTEN AGREEMENT.

MODIFICATIONS:

7	10
8	11
9	12

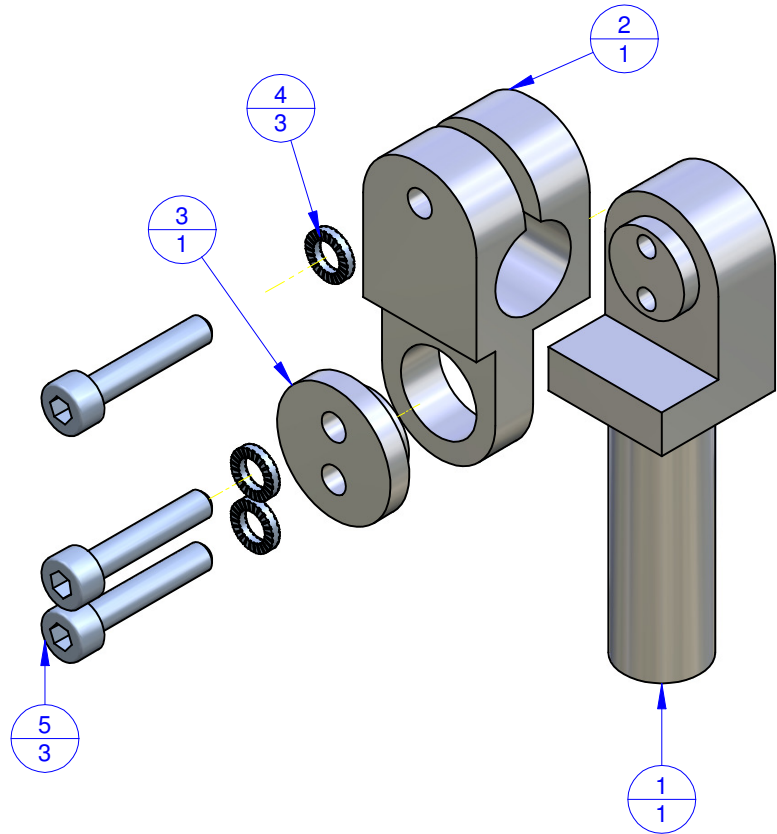
VARIED DIMENSIONS AS OF DATE:

MODIFICATIONS:

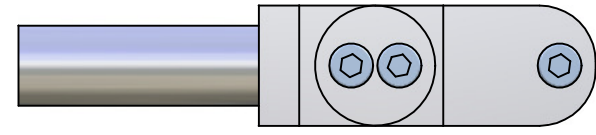
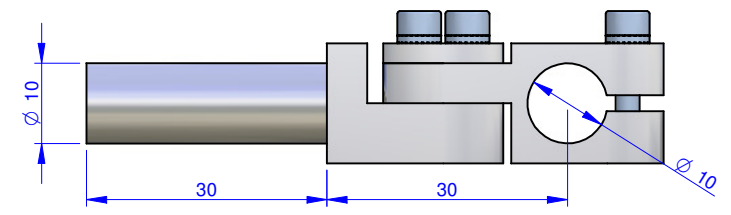
1	4
2	5
3	6

VARIED DIMENSIONS AS OF DATE:

Format **A3**
UNI 936-76



Object Number	Name	QTY
1	GVR.10.1.30	1
2	GVR.10.2	1
3	GVR.10.3	1
4	R.3.SCH	3
5	V.TCE3X16	3



FP Services <small>GENERAL TOLERANCE: UNI - ISO 2768 CLASSE f</small>			DESIGNED FROM FPSERVICES
			<small>DATE</small> 03/2013 <small>WEIGHT</small> 0,027 kg <small>CODE</small> CA.GVR.1010.30

