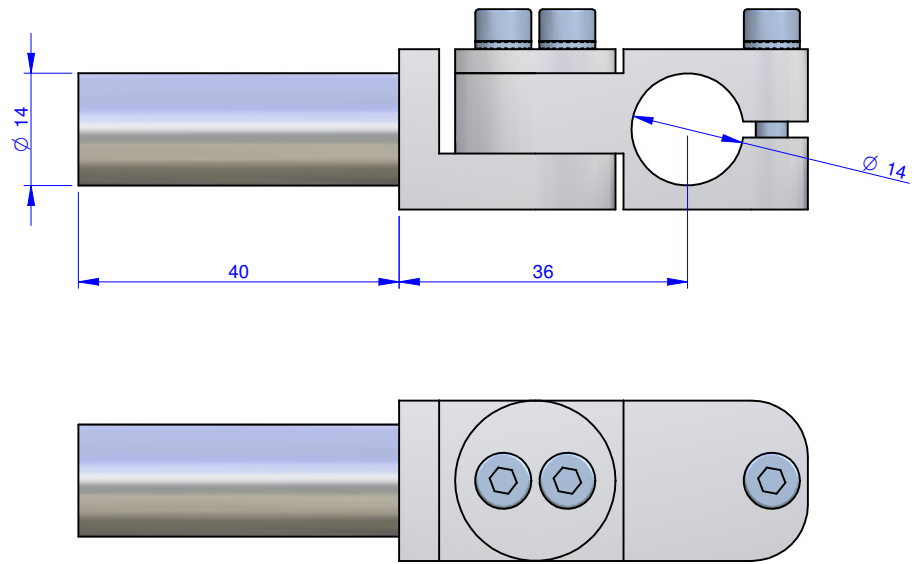
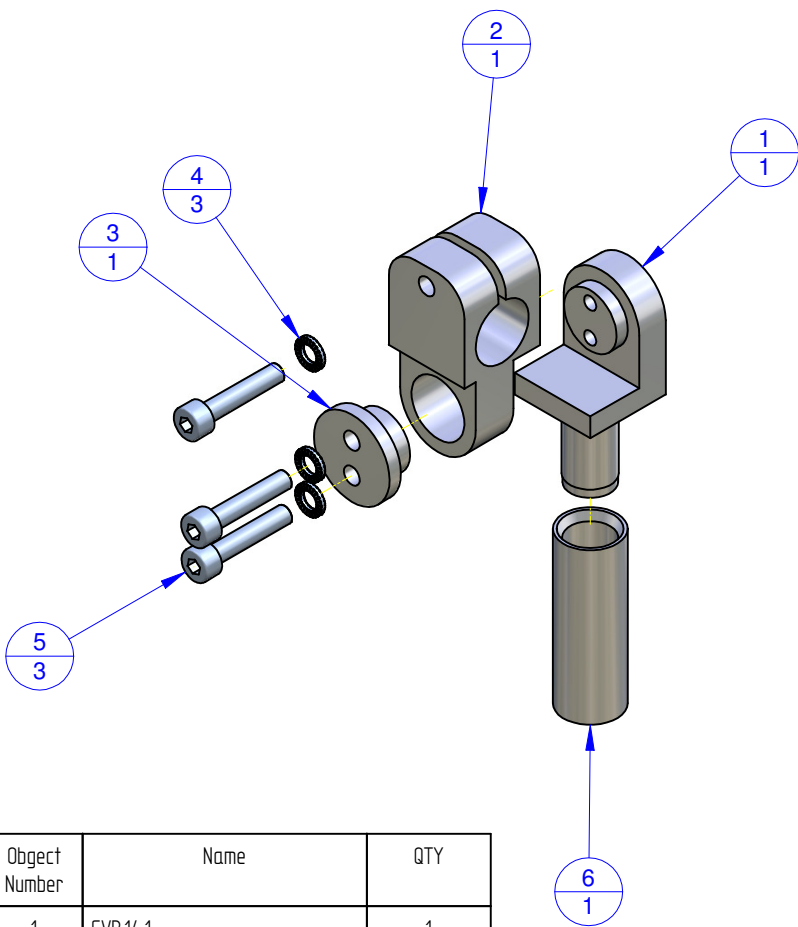


THE PROPERTY OF THIS DRAWING IS ESTABLISHED BY LAW
IT IS FORBIDDEN TO REPRODUCE IT OR SHOW IT TO THIRD PARTY
WITHOUT A WRITTEN AGREEMENT.



Object Number	Name	QTY
1	GVR.14.1	1
2	GVR.14.2	1
3	GVR.14.3	1
4	R.4.SCH	3
5	V.TCEI 4X20	3
6	WKA.14.40	1

MODIFICATIONS: _____

VARIED DIMENSIONS AS OF DATE: _____

(7) (8) (9) (10) (11) (12)

MODIFICATIONS: _____

VARIED DIMENSIONS AS OF DATE: _____

(1) (2) (3) (4) (5) (6)

Format **A3**

UNI 936-76

FP Services		DESIGNED FROM FPSERVICES			
		GENERAL TOLERANCE: UNI - ISO 2768 CLASSE f	DESCRIPTION	DATE 08/2015	WEIGHT 0,056 kg
		CODE CA.GVR.1414.40			