

THE PROPERTY OF THIS DRAWING IS ESTABLISHED BY LAW
IT IS FORBIDDEN TO REPRODUCE IT OR SHOW IT TO THIRD PARTY
WITHOUT A WRITTEN AGREEMENT.

MODIFICATIONS:

7	10
8	11
9	12

VARIED DIMENSIONS AS OF DATE:

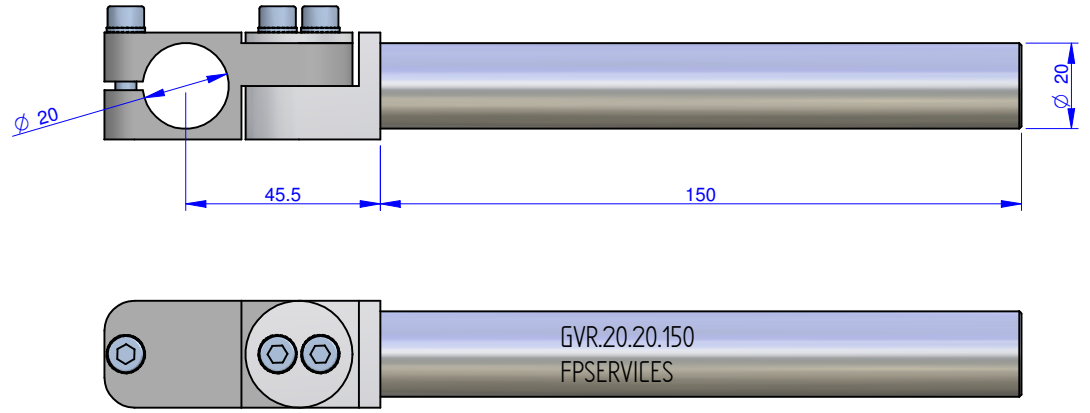
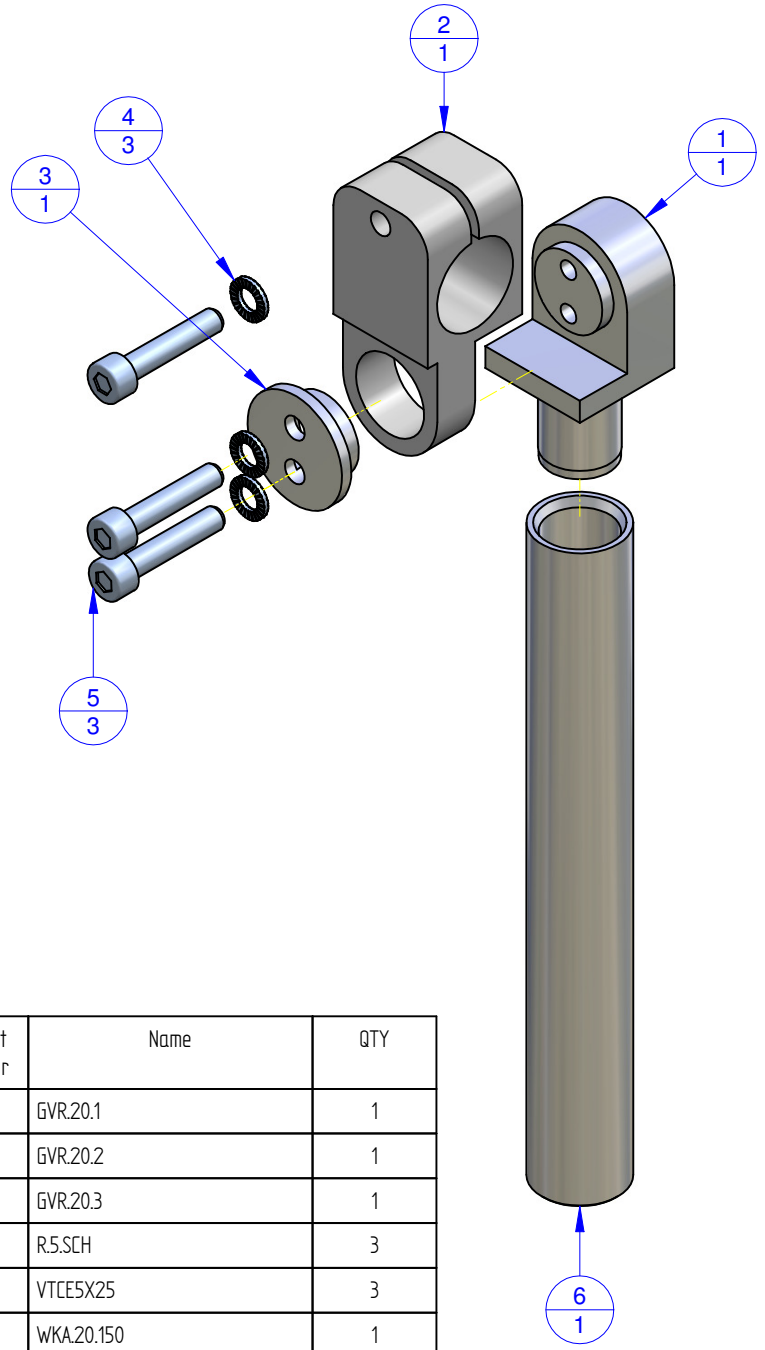
MODIFICATIONS:

1	4
2	5
3	6

VARIED DIMENSIONS AS OF DATE:

Format **A3**
UNI 936-76

Object Number	Name	QTY
1	GVR.20.1	1
2	GVR.20.2	1
3	GVR.20.3	1
4	R.5.SCH	3
5	VTCE5X25	3
6	WKA.20.150	1



FP Services		DESIGNED FROM FPSERVICES	
		DATE 08/2015	WEIGHT 0,153 kg
GENERAL TOLERANCE: UNI - ISO 2768 CLASSE f		DESCRIPTION CA.GVR.2020.150	