

THE PROPERTY OF THIS DRAWING IS ESTABLISHED BY LAW
IT IS FORBIDDEN TO REPRODUCE IT OR SHOW IT TO THIRD PARTY
WITHOUT A WRITTEN AGREEMENT.

MODIFICATIONS: _____

VARIED DIMENSIONS AS OF DATE: _____

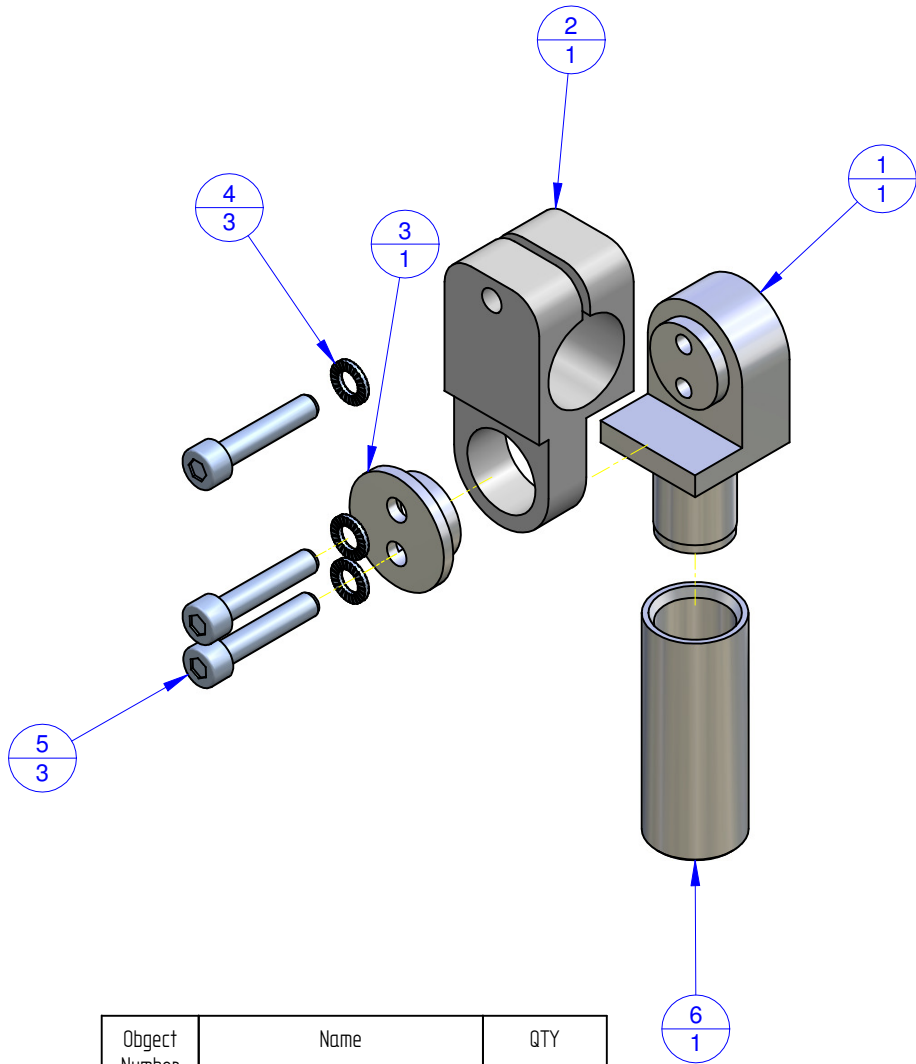
(7) (8) (9) (10) (11) (12)

MODIFICATIONS: _____

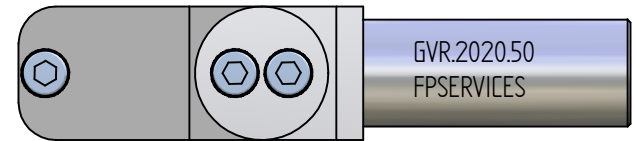
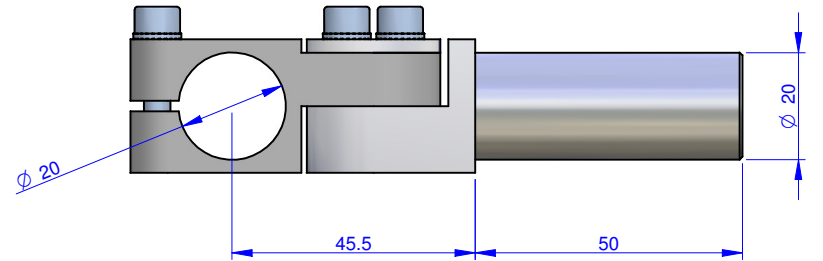
VARIED DIMENSIONS AS OF DATE: _____

(1) (2) (3) (4) (5) (6)

Format **A3**
UNI 936-76



Obgett Number	Name	QTY
1	GVR.20.1	1
2	GVR.20.2	1
3	GVR.20.3	1
4	R.5.SCH	3
5	VTCE5X25	3
6	WKA.20.50	1



FP Services <small>GENERAL TOLERANCE: UNI - ISO 2768 CLASSE f</small>	<small>DESCRIPTION</small>	<small>DESIGNED FROM</small> FPSERVICES
		<small>DATE</small> 07/2015
<small>CODE</small> CA.GVR.2020.50		