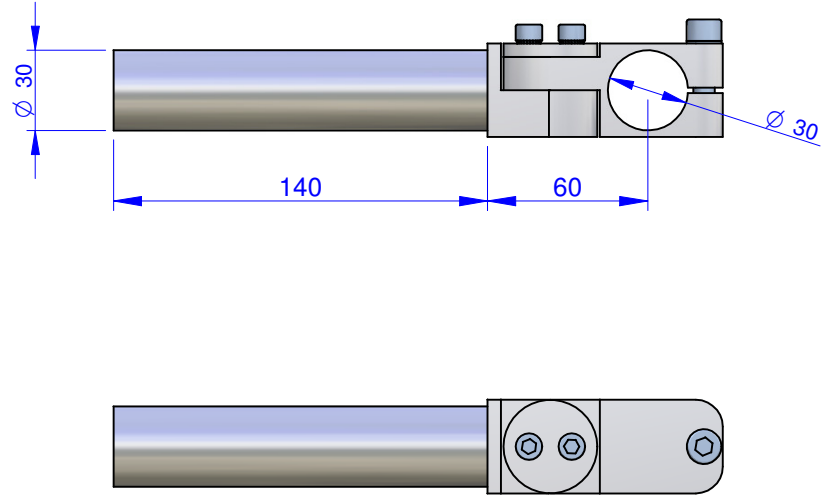
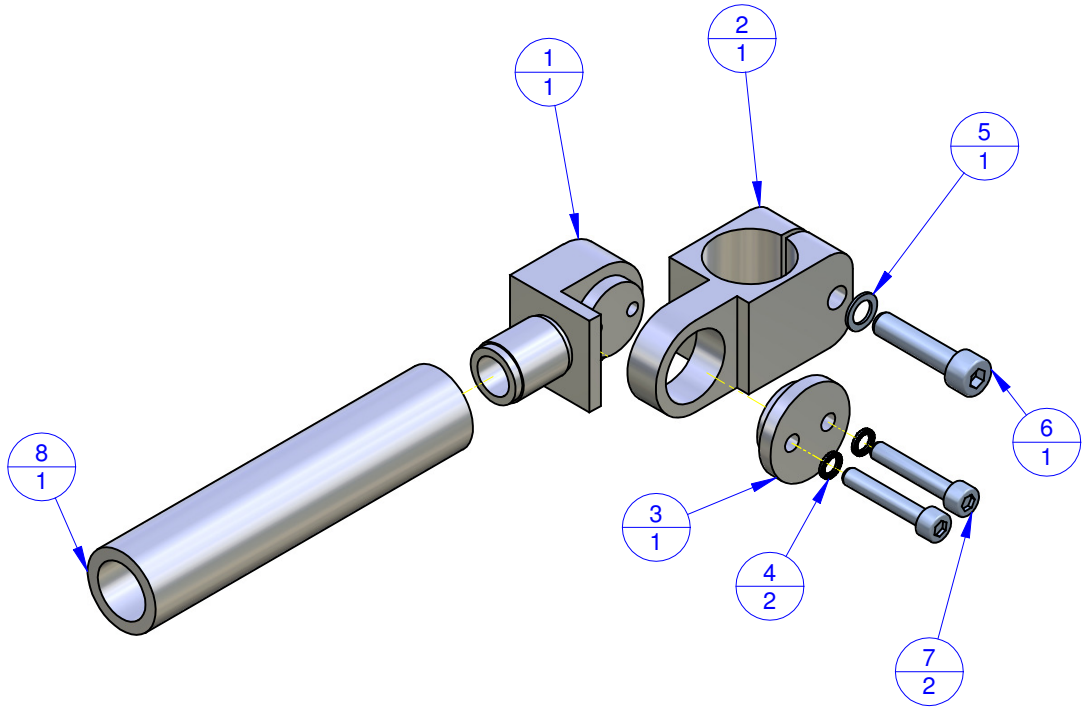


THE PROPERTY OF THIS DRAWING IS ESTABLISHED BY LAW
IT IS FORBIDDEN TO REPRODUCE IT OR SHOW IT TO THIRD PARTY
WITHOUT A WRITTEN AGREEMENT.

MODIFICATIONS: _____
 (7) (8) (9)
 VARIED DIMENSIONS AS OF DATE: _____
 (10) (11) (12)

MODIFICATIONS: _____
 (1) (2) (3)
 VARIED DIMENSIONS AS OF DATE: _____
 (4) (5) (6)

Format **A3**
 UNI 936-76



Object Number	Name	QTY
1	GVR.30.1	1
2	GVR.30.2	1
3	GVR.30.3	1
4	R.6.SCH	2
5	R.8.SCH	1
6	V.TCEI 8X35	1
7	V.TCEI M6X35	2
8	GVR.30.140	1

FP Services		DESIGNED FROM FPSERVICES	
		DATE 01/2013	WEIGHT 0,381 kg
GENERAL TOLERANCE: UNI - ISO 2768 CLASSE f		CODE CA.GVR.3030.140	

