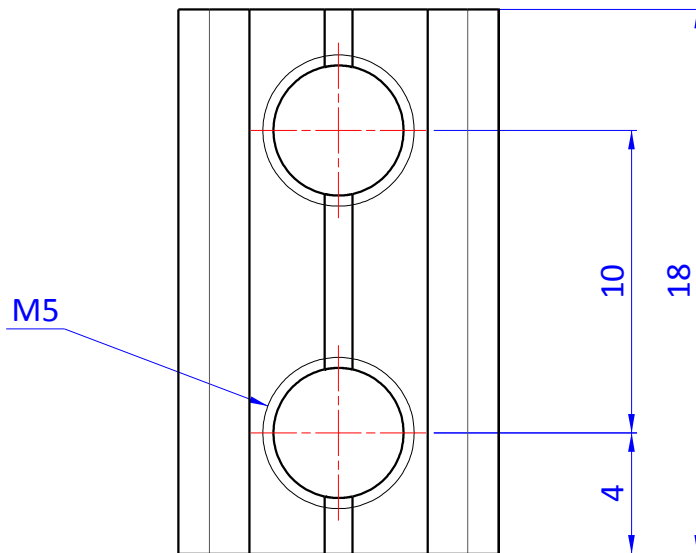
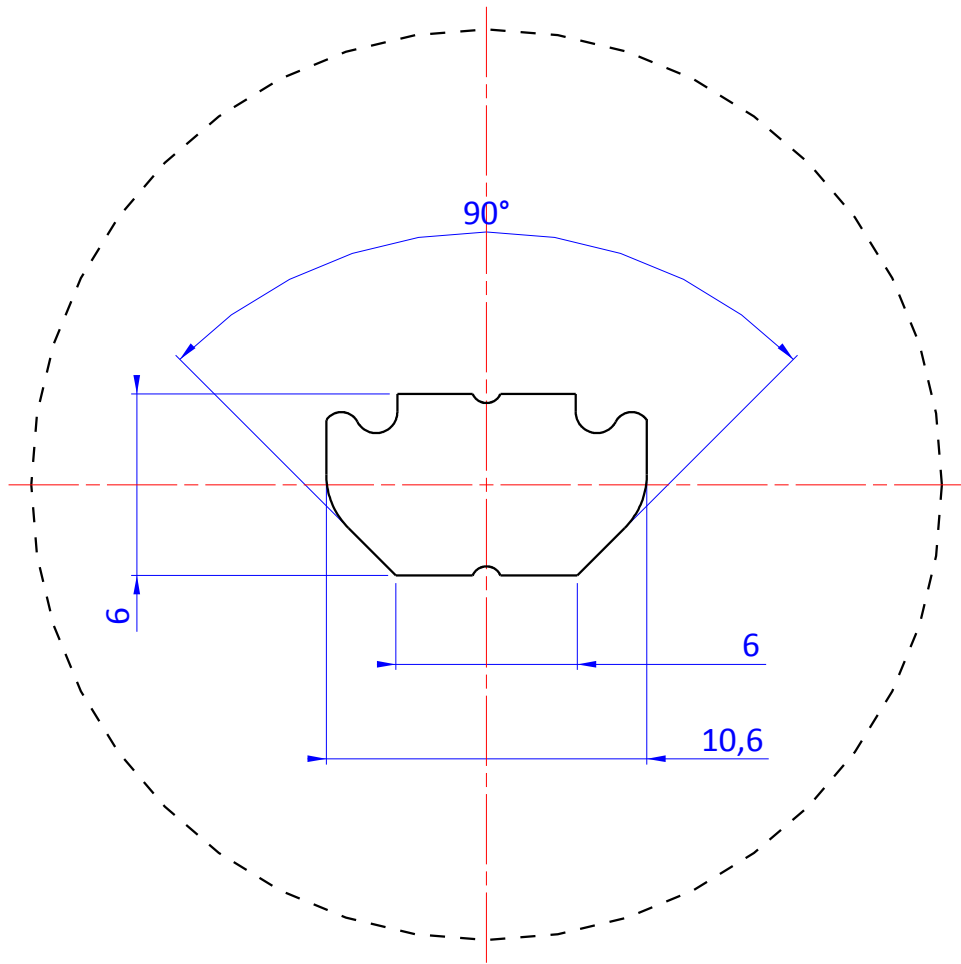


THE PROPERTY OF THE DRAWING IS ESTABLISHED BY LAW
IT IS FORBIDDEN TO PRODUCE OR SHOW IT TO THIRD PART
WITHOUT A WRITTEN AGREEMENT.



MODIFICATIONS

MODIFICATIONS

MODIFICATIONS

MODIFICATIONS

Format A4

UNI 936-76

1 2 3

4 5 6

7 8 9

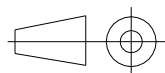
10 11 12

VARIED DIMENSIONS AS OF DATE:

VARIED DIMENSIONS AS OF DATE:

VARIED DIMENSIONS AS OF DATE:

VARIED DIMENSIONS AS OF DATE:



DESIGNED FROM
FP SERVICES

SCALA
4 : 1

DATE
27/02/2017

WEIGHT
0,006kg

GENERAL TOLERANCE

UNI - ISO 2768

CLASSE f

MATERIALE

GWP.TRAFILATO

TRATTAMENTO

ZINCATURA

CODE

CA.GWP.5.10